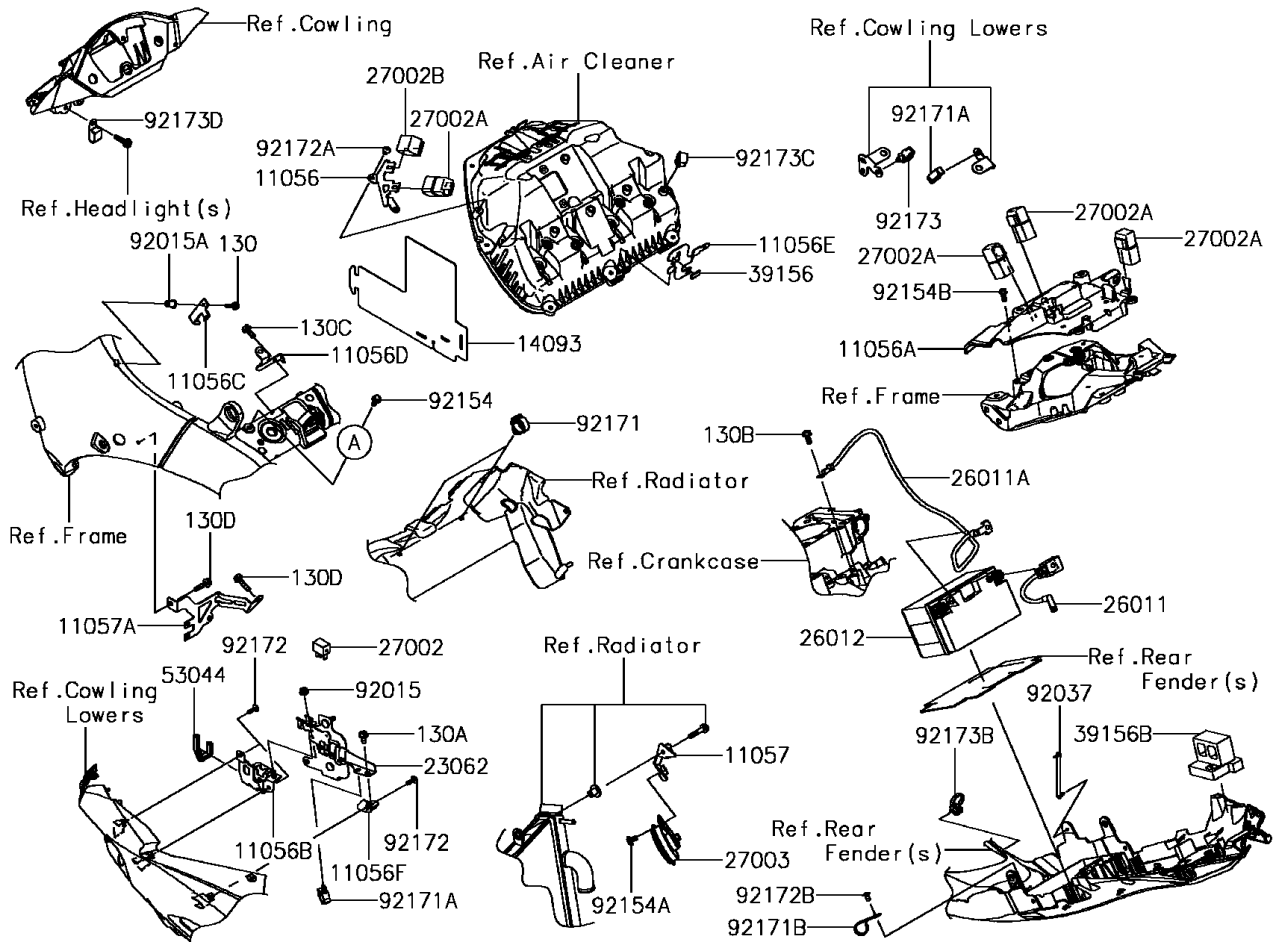
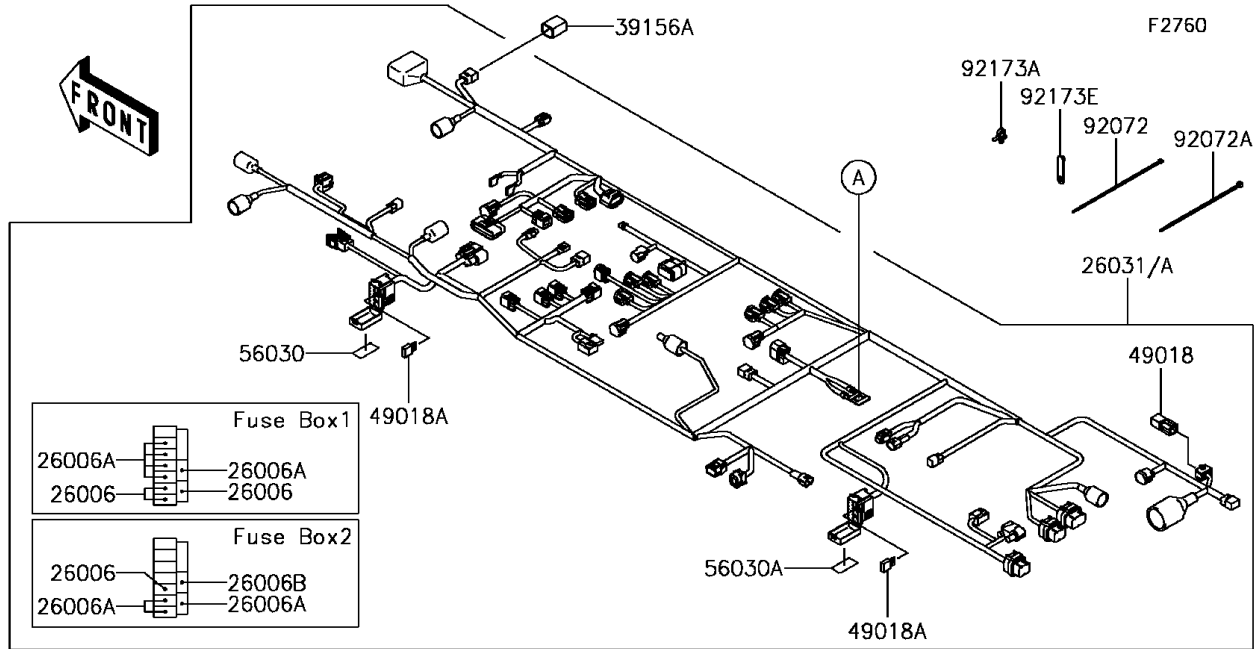


# 2017 NINJA® ZX™-10R PARTS DIAGRAM

## Chassis Electrical Equipment



## 2017 NINJA® ZX™-10R PARTS LIST

### Chassis Electrical Equipment

| ITEM NAME                                    | PART NUMBER | QUANTITY |
|--|-------------|----------|
| BRACKET,RELAY (Ref # 11056)                  | 11056-7706  | 1        |
| BRACKET,ECU (Ref # 11056A)                   | 11056-7717  | 1        |
| BRACKET,FUSE (Ref # 11056B)                  | 11056-7809  | 1        |
| BRACKET,FRAME,LH (Ref # 11056C)              | 11056-7828  | 1        |
| BRACKET,CROSS FRAME (Ref # 11056D)           | 11056-7829  | 1        |
| BRACKET,HARNESS (Ref # 11056E)               | 11056-7955  | 1        |
| BRACKET,CONNECTOR,RR (Ref # 11056F)          | 11056-7959  | 1        |
| BRACKET,HORN (Ref # 11057)                   | 11057-0017  | 1        |
| BRACKET,SHIFTER&GEAR POSITION (Ref # 11057A) | 11057-0068  | 1        |
| COVER,RELAY (Ref # 14093)                    | 14093-0476  | 1        |
| BRACKET-COMP,CONNECTOR (Ref # 23062)         | 23062-0873  | 1        |
| FUSE,MINI BLADE,15A,BLUE (Ref # 26006)       | 26006-0001  | 4        |
| FUSE,MINI BLADE,10A,RED (Ref # 26006A)       | 26006-1078  | 8        |
| FUSE,MINI BLADE,30A,GREEN (Ref # 26006B)     | 26006-1080  | 1        |
| WIRE-LEAD,BATTERY(+) (Ref # 26011)           | 26011-0921  | 1        |
| WIRE-LEAD,BATTERY(-) (Ref # 26011A)          | 26011-0943  | 1        |
| BATTERY,YTZ10S,12V 8.6AH (Ref # 26012)       | 26012-0564  | 1        |
| RELAY-ASSY,HEAD LAMP (Ref # 27002)           | 27002-0027  | 1        |
| RELAY-ASSY (Ref # 27002A)                    | 27002-1086  | 4        |
| RELAY-ASSY,SIGNAL LAMP (Ref # 27002B)        | 27002-1097  | 1        |
| HORN (Ref # 27003)                           | 27003-0113  | 1        |
| PAD,HEAT GUARD (Ref # 39156)                 | 39156-0389  | 1        |
| PAD,DIAG. CONNECTOR (Ref # 39156A)           | 39156-1886  | 1        |
| PAD,DIAG/DONGLE (Ref # 39156B)               | 39156-1993  | 1        |
| DIODE (Ref # 49018)                          | 49018-0005  | 1        |
| DIODE (Ref # 49018A)                         | 49018-0007  | 2        |
| TRIM (Ref # 53044)                           | 53044-0018  | 1        |
| LABEL,FUSE1 (Ref # 56030)                    | 56030-0955  | 1        |
| LABEL,FUSE2 (Ref # 56030A)                   | 56030-0957  | 1        |

## 2017 NINJA® ZX™-10R PARTS LIST

### Chassis Electrical Equipment

| ITEM NAME                         | PART NUMBER | QUANTITY |
|-----------------------------------|-------------|----------|
| NUT,FLANGED,6MM (Ref # 92015)     | 92015-1367  | 1        |
| NUT,WELL,5MM (Ref # 92015A)       | 92015-1757  | 1        |
| CLAMP,SPEED,L=80.5 (Ref # 92037)  | 92037-1903  | 1        |
| BAND,202X3.6 (Ref # 92072)        | 92072-0782  | 1        |
| BAND,L=148 (Ref # 92072A)         | 92072-3768  | 1        |
| BOLT,FLANGED,6X16 (Ref # 92154)   | 92154-0551  | 1        |
| BOLT,SOCKET,6X10 (Ref # 92154A)   | 92154-0774  | 1        |
| BOLT-FLANGED,5X18 (Ref # 130)     | 130BA0518   | 1        |
| BOLT-FLANGED,6X12 (Ref # 130A)    | 130BA0612   | 1        |
| BOLT-FLANGED,6X14 (Ref # 130B)    | 130BA0614   | 1        |
| BOLT-FLANGED,6X16 (Ref # 130C)    | 130BA0616   | 1        |
| BOLT-FLANGED,6X25 (Ref # 130D)    | 130BA0625   | 2        |
| BOLT,FLANGED,6X14 (Ref # 92154B)  | 92154-1864  | 4        |
| CLAMP,CLIP,DIA=20 (Ref # 92171)   | 92171-0068  | 2        |
| CLAMP,BRAKE HOSE (Ref # 92171A)   | 92171-0316  | 2        |
| CLAMP (Ref # 92171B)              | 92171-1279  | 1        |
| SCREW,TAPPING,5X16 (Ref # 92172)  | 92172-0175  | 3        |
| SCREW,TAPPING,5X10 (Ref # 92172A) | 92172-0262  | 2        |
| SCREW,TAPPING,5X10 (Ref # 92172B) | 92172-0335  | 1        |
| CLAMP,12MM DIA. (Ref # 92173)     | 92173-0736  | 1        |
| CLAMP (Ref # 92173A)              | 92173-0742  | 1        |
| CLAMP (Ref # 92173B)              | 92173-0791  | 1        |
| CLAMP (Ref # 92173C)              | 92173-0861  | 1        |
| CLAMP,68MM (Ref # 92173D)         | 92173-1009  | 2        |
| CLAMP,RUBBER PLATE (Ref # 92173E) | 92173-1229  | 4        |
| HARNESS,MAIN (Ref # 26031)        | 26031-2114  | 1        |
| HARNESS,MAIN (Ref # 26031A)       | 26031-2116  | 1        |