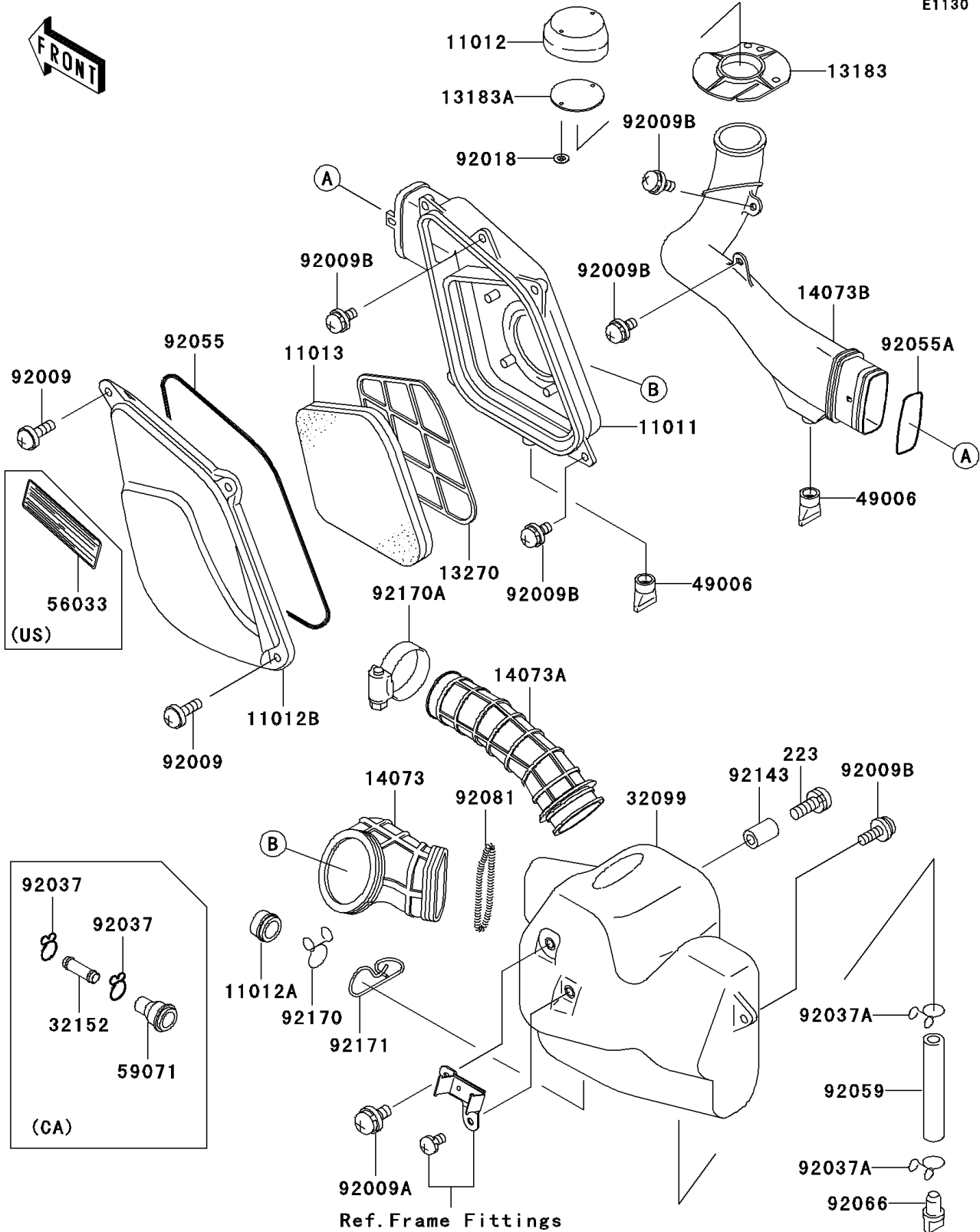


2003 Lakota Sport PARTS DIAGRAM

Air Cleaner

E1130



2003 Lakota Sport PARTS LIST

Air Cleaner

| ITEM NAME | PART NUMBER | QUANTITY |
|--------------------------------------|-------------|----------|
| SCREW-PAN-WS-CROS (Ref # 223) | 223C0635 | 1 |
| CASE-AIR FILTER (Ref # 11011) | 11011-1442 | 1 |
| CAP,SNORKL DUCT (Ref # 11012) | 11012-1537 | 1 |
| CAP,CAR FILTER (Ref # 11012B) | 11012-1902 | 1 |
| ELEMENT-AIR FILTER (Ref # 11013) | 11013-1145 | 1 |
| PLATE,SNORKL DUCT (Ref # 13183) | 13183-1019 | 1 |
| PLATE,SNORKL CAP (Ref # 13183A) | 13183-1020 | 1 |
| PLATE,ELEMENT (Ref # 13270) | 13270-1317 | 1 |
| DUCT,CHAMBER-AIRFILTER (Ref # 14073) | 14073-1266 | 1 |
| DUCT,AIR FILTER (Ref # 14073A) | 14073-1611 | 1 |
| DUCT,SNORKL (Ref # 14073B) | 14073-1629 | 1 |
| CASE,AIR CHAMBER (Ref # 32099) | 32099-1155 | 1 |
| BOOT (Ref # 49006) | 49006-1292 | 2 |
| SCREW,6X18,BLACK (Ref # 92009) | 92009-1181 | 4 |
| SCREW,6X14 (Ref # 92009A) | 92009-1275 | 1 |
| SCREW,6X16 (Ref # 92009B) | 92009-1276 | 5 |
| NUT,PUSH,3MM (Ref # 92018) | 92018-005 | 2 |
| CLAMP,TUBE (Ref # 92037A) | 92037-147 | 2 |
| RING-O,AIR FILTER CASE (Ref # 92055) | 92055-1344 | 1 |
| RING-O,57.3X3 (Ref # 92055A) | 92055-1345 | 1 |
| TUBE,7X10X100 (Ref # 92059) | 92059-1736 | 1 |
| PLUG,DRAIN (Ref # 92066) | 92066-1211 | 1 |
| SPRING,DUCT (Ref # 92081) | 92081-1638 | 1 |
| COLLAR (Ref # 92143) | 92143-1046 | 1 |
| CLAMP,TUBE (Ref # 92170) | 92170-1445 | 1 |
| CLAMP (Ref # 92170A) | 92170-1674 | 1 |
| CLAMP (Ref # 92171) | 92171-1483 | 1 |
| CAP,HEAD (Ref # 11012A) | 11012-1544 | 1 |
| PIPE (Ref # 32152) | 32152-1567 | 1 |

2003 Lakota Sport PARTS LIST

Air Cleaner

| ITEM NAME | PART NUMBER | QUANTITY |
|--|-------------|----------|
| LABEL-MANUAL,MAINTENANCE (Ref # 56033) | 56033-1079 | 1 |
| JOINT (Ref # 59071) | 59071-1168 | 1 |
| CLAMP,FUEL TUBE (Ref # 92037) | 92037-1271 | 2 |