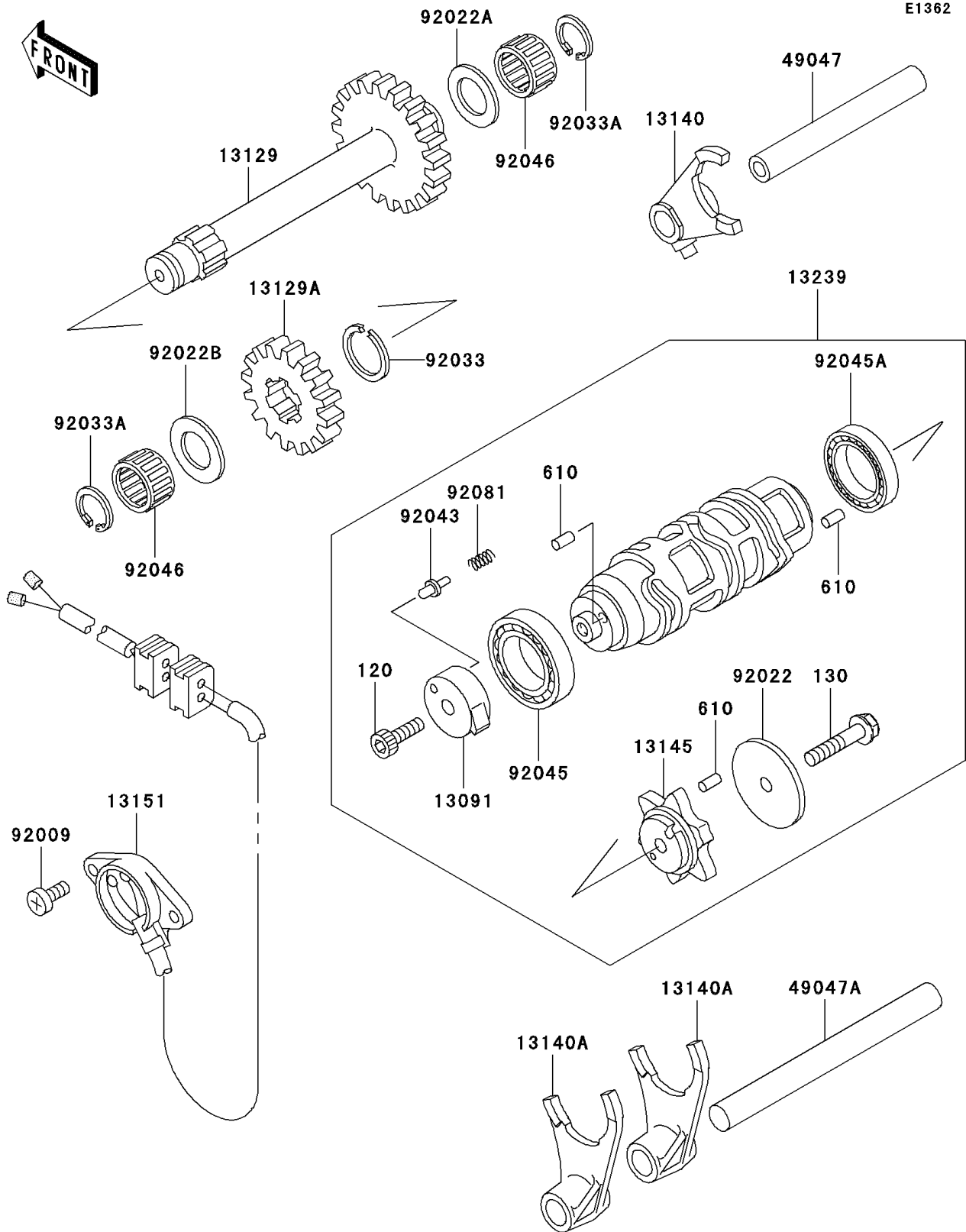


2003 Lakota Sport PARTS DIAGRAM

Gear Change Drum/Shift Fork(s)



2003 Lakota Sport PARTS LIST

Gear Change Drum/Shift Fork(s)

| ITEM NAME | PART NUMBER | QUANTITY |
|--|-------------|----------|
| BOLT-SOCKET,6X20 (Ref # 120) | 120Q0620 | 1 |
| BOLT-FLANGED,6X30 (Ref # 130) | 130G0630 | 1 |
| ROLLER,4X10 (Ref # 610) | 610A0410 | 8 |
| HOLDER,NEUTRAL SWITCH (Ref # 13091) | 13091-1443 | 1 |
| GEAR-REVERSE (Ref # 13129) | 13129-1705 | 1 |
| GEAR-REVERSE,20T (Ref # 13129A) | 13129-1706 | 1 |
| FORK-SHIFT (Ref # 13140) | 13140-1134 | 1 |
| FORK-SHIFT (Ref # 13140A) | 13140-1135 | 2 |
| CAM-CHANGE DRUM (Ref # 13145) | 13145-1057 | 1 |
| SWITCH-COMP (Ref # 13151) | 13151-1097 | 1 |
| DRUM-ASSY-CHANGE (Ref # 13239) | 13239-1154 | 1 |
| ROD-SHIFT,L=93.7 (Ref # 49047) | 49047-1003 | 1 |
| ROD-SHIFT (Ref # 49047A) | 49047-1062 | 1 |
| SCREW,5X14 (Ref # 92009) | 92009-1341 | 2 |
| WASHER,6.2X38X1.2 (Ref # 92022) | 92022-1500 | 1 |
| WASHER,17.3X28X1 (Ref # 92022A) | 92022-255 | 1 |
| WASHER,17.3X30X1.4 (Ref # 92022B) | 92022-270 | 1 |
| RING-SNAP,20X25.5X1.2 (Ref # 92033) | 92033-025 | 1 |
| RING-SNAP (Ref # 92033A) | 92033-032 | 2 |
| PIN (Ref # 92043) | 92043-1287 | 1 |
| BEARING-BALL,6805 (Ref # 92045) | 92045-1122 | 1 |
| BEARING-BALL,6905X1 (Ref # 92045A) | 92045-1150 | 1 |
| BEARING-NEEDLE,K17X23X13.8 (Ref # 92046) | 92046-1184 | 2 |
| SPRING (Ref # 92081) | 92081-1763 | 1 |