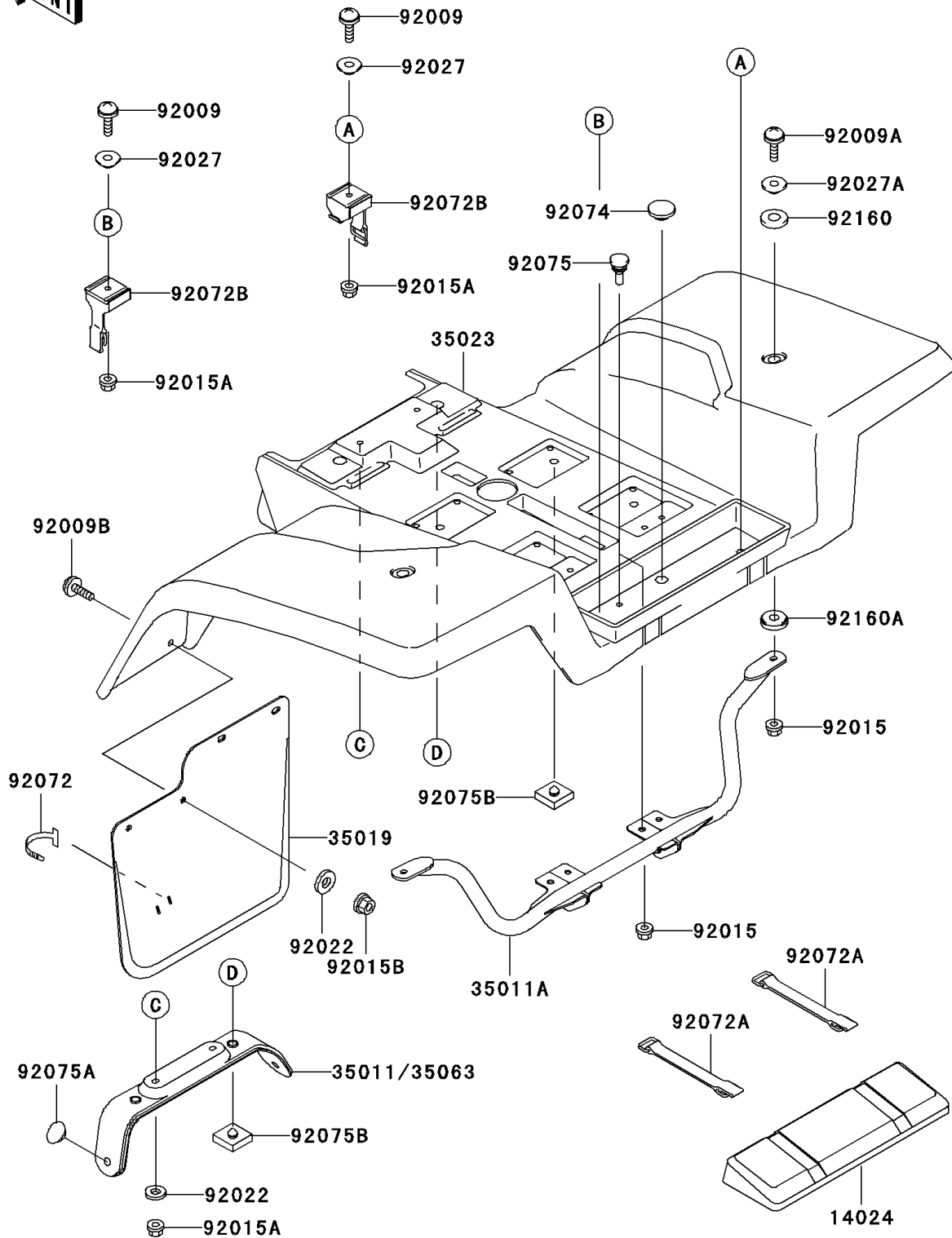


2003 Lakota Sport PARTS DIAGRAM

Rear Fender(s)

F2172



2003 Lakota Sport PARTS LIST

Rear Fender(s)

ITEM NAME	PART NUMBER	QUANTITY
COVER,REAR FENDER,C.BLUE (Ref # 14024)	14024-1283-AY	1
STAY,REAR FENDER,RR,SILVER (Ref # 35011A)	35011-1698-5A	1
FLAP,REAR FENDER,F.BLACK (Ref # 35019)	35019-1321-6Z	2
FENDER-REAR,C.BLUE (Ref # 35023)	35023-1392-AY	1
STAY,REAR FENDER,FR (Ref # 35063)	35063-1170	1
SCREW,6X14 (Ref # 92009)	92009-1288	2
SCREW,6X25 (Ref # 92009A)	92009-1465	2
SCREW,6X16 (Ref # 92009B)	92009-1621	8
NUT,FLANGED,6MM,BLACK (Ref # 92015)	92015-1233	6
NUT,LOCK,FLANGED,6MM (Ref # 92015A)	92015-1339	4
NUT,LOCK,FLANGED,6MM (Ref # 92015B)	92015-1675	8
WASHER,6.5X20X1.6 (Ref # 92022)	92022-1804	10
COLLAR,L=5.1 (Ref # 92027)	92027-1260	2
COLLAR (Ref # 92027A)	92027-1767	2
BAND,L=123 (Ref # 92072)	92072-030	2
BAND,L=150 (Ref # 92072A)	92072-1203	2
BAND (Ref # 92072B)	92072-1215	2
PLUG,11X3.2 (Ref # 92074)	92074-038	1
DAMPER (Ref # 92075)	92075-1808	2
DAMPER (Ref # 92075A)	92075-1861	2
DAMPER (Ref # 92075B)	92075-1882	6
DAMPER (Ref # 92160)	92160-1011	2
DAMPER (Ref # 92160A)	92160-1017	2