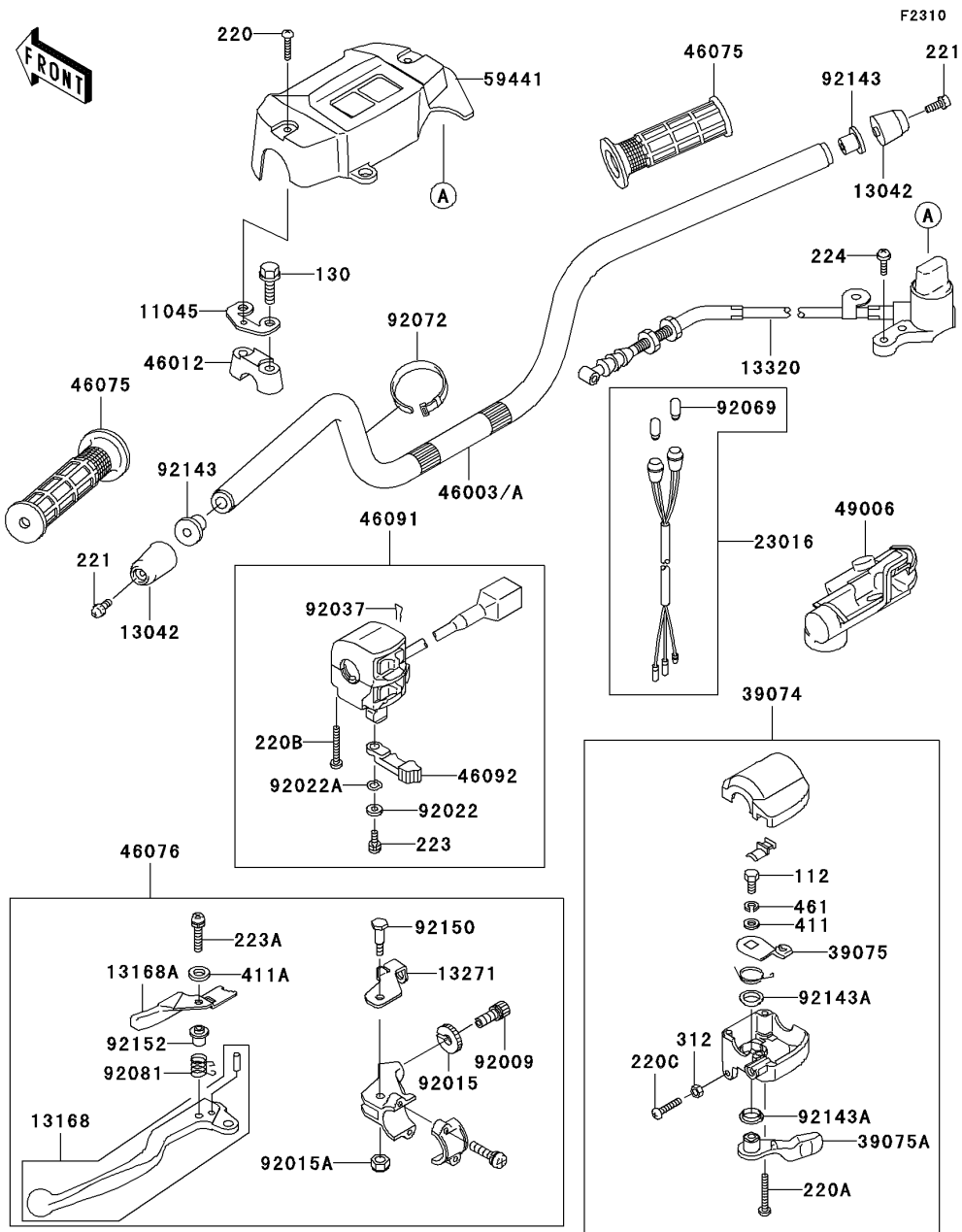


# 2002 Lakota Sport PARTS DIAGRAM

Handlebar



## 2002 Lakota Sport PARTS LIST

### Handlebar

| ITEM NAME                               | PART NUMBER   | QUANTITY |
|---|---------------|----------|
| BOLT-UPSET (Ref # 112)                  | 112D0614      | 1        |
| BOLT-FLANGED (Ref # 130)                | 130P0860      | 4        |
| SCREW-PAN-CROS,4X20 (Ref # 220)         | 220C0420      | 2        |
| SCREW-PAN-CROS (Ref # 220A)             | 220C0530      | 2        |
| SCREW-PAN-CROS (Ref # 220B)             | 220C0535      | 2        |
| SCREW-PAN-CROS,6X30,BLACK (Ref # 220C)  | 220C0630      | 1        |
| SCREW-CSK-CROS (Ref # 221)              | 221C0650      | 2        |
| SCREW-PAN-WS-CROS (Ref # 223)           | 223C0512      | 1        |
| BRACKET,HANDLE COVER (Ref # 11045)      | 11045-1925    | 2        |
| WEIGHT,HANDLE (Ref # 13042)             | 13042-1005    | 2        |
| LEVER,LH (Ref # 13168)                  | 13168-1672    | 1        |
| LEVER,LOCK (Ref # 13168A)               | 13168-1673    | 1        |
| PLATE,LOCK (Ref # 13271)                | 13271-1259    | 1        |
| LEVER-ASSY,REVERSE (Ref # 13320)        | 13320-1010    | 1        |
| LAMP-ASSY,NEUTRAL&REVERSE (Ref # 23016) | 23016-1083    | 1        |
| LEVER-ASSY-THROTTLE (Ref # 39074)       | 39074-1055    | 1        |
| LEVER-THROTTLE,ARM (Ref # 39075)        | 39075-1054    | 1        |
| LEVER-THROTTLE (Ref # 39075A)           | 39075-1059    | 1        |
| HANDLE,SILVER (Ref # 46003A)            | 46003-1571-5A | 1        |
| HOLDER-HANDLE (Ref # 46012)             | 46012-1168    | 2        |
| GRIP (Ref # 46075)                      | 46075-1056    | 2        |
| LEVER-ASSY-GRIP,LH (Ref # 46076)        | 46076-1224    | 1        |
| HOUSING-ASSY-CONTROL,LH (Ref # 46091)   | 46091-1462    | 1        |
| LEVER-GRIP,CHOKE (Ref # 46092)          | 46092-1149    | 1        |
| BOOT,RH (Ref # 49006)                   | 49006-1338    | 1        |
| COVER-HANDLE (Ref # 59441)              | 59441-1111    | 1        |
| SCREW,CABLE ADJUST,8MM (Ref # 92009)    | 92009-1435    | 1        |
| NUT,CABLE ADJUST LOCK,8MM (Ref # 92015) | 92015-1596    | 1        |
| NUT (Ref # 92015A)                      | 92015-1829    | 1        |

## 2002 Lakota Sport PARTS LIST

### Handlebar

| ITEM NAME                           | PART NUMBER | QUANTITY |
|-------------------------------------|-------------|----------|
| WASHER,5MM (Ref # 92022)            | 92022-1837  | 1        |
| WASHER,WAVE,5MM (Ref # 92022A)      | 92022-1838  | 1        |
| CLAMP,CLIP (Ref # 92037)            | 92037-1836  | 1        |
| BULB,12V 3W,T7 (Ref # 92069)        | 92069-1020  | 2        |
| BAND,L=149 (Ref # 92072)            | 92072-031   | 1        |
| SPRING,LOCK RETURN (Ref # 92081)    | 92081-1358  | 1        |
| COLLAR,L=9.6 (Ref # 92143)          | 92143-1016  | 2        |
| COLLAR (Ref # 92143A)               | 92143-1138  | 2        |
| BOLT (Ref # 92150)                  | 92150-1420  | 1        |
| COLLAR (Ref # 92152)                | 92152-1176  | 1        |
| SCREW-PAN-WS-CROS (Ref # 223A)      | 223C0520    | 1        |
| SCREW-PAN-WP-CROS,5X20 (Ref # 224)  | 224B0520    | 2        |
| NUT-HEX,6MM,BLACK (Ref # 312)       | 312C0600    | 1        |
| WASHER-PLAIN,6MM (Ref # 411)        | 411E0600    | 1        |
| WASHER-PLAIN,5MM,BLACK (Ref # 411A) | 411F0500    | 1        |
| WASHER-SPRING (Ref # 461)           | 461L0600    | 1        |