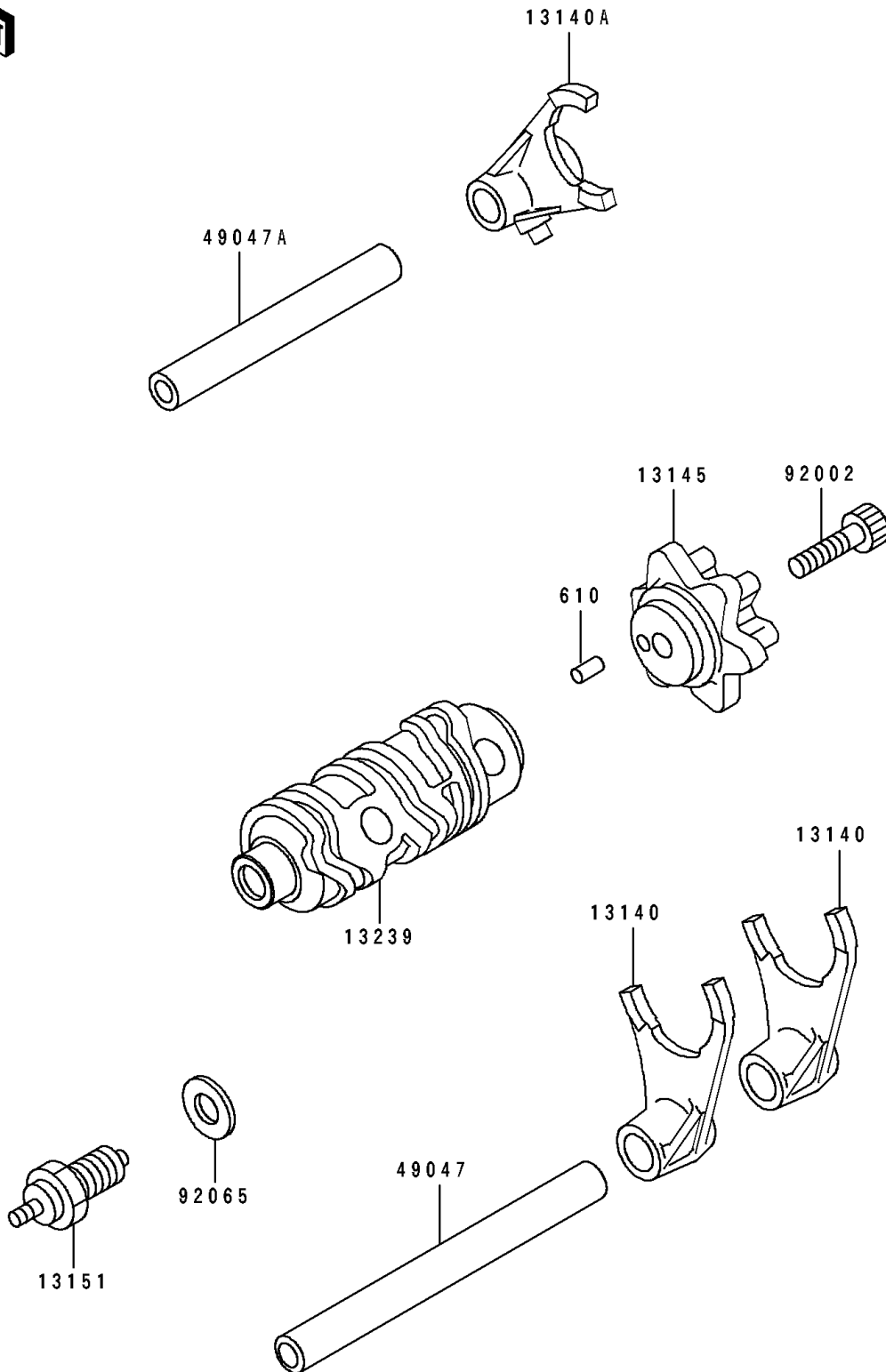


1993 KLR250 PARTS DIAGRAM

Gear Change Drum/Shift Fork(s)

E1362



1993 KLR250 PARTS LIST

Gear Change Drum/Shift Fork(s)

| ITEM NAME | PART NUMBER | QUANTITY |
|---|-------------|----------|
| FORK-SHIFT (Ref # 13140) | 13140-1116 | 2 |
| FORK-SHIFT (Ref # 13140A) | 13140-1117 | 1 |
| CAM-CHANGE DRUM (Ref # 13145) | 13145-1054 | 1 |
| SWITCH-COMP,NEUTRAL (Ref # 13151) | 13151-1080 | 1 |
| DRUM-ASSY-CHANGE (Ref # 13239) | 13239-1113 | 1 |
| ROD-SHIFT,L=106.7 (Ref # 49047) | 49047-1056 | 1 |
| ROD-SHIFT,L=71.7 (Ref # 49047A) | 49047-1057 | 1 |
| BOLT,SOCKET,6X25 (Ref # 92002) | 92002-1696 | 1 |
| GASKET,10.5X16X1,DRAIN PLUG (Ref # 92065) | 92065-058 | 1 |
| ROLLER,4X10 (Ref # 610) | 610A0410 | 1 |