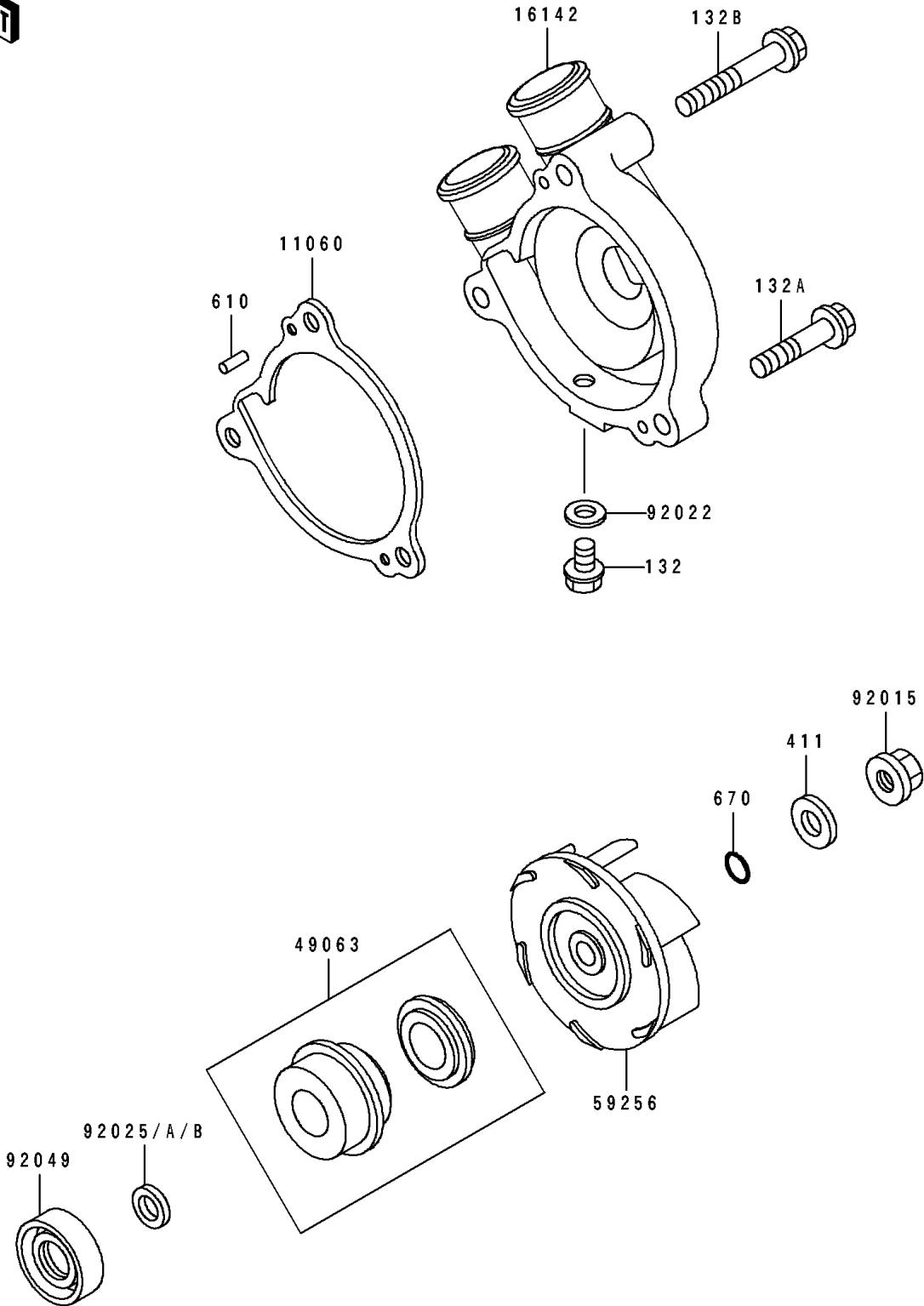


1996 KLR250 PARTS DIAGRAM

Water Pump

E3031



1996 KLR250 PARTS LIST

Water Pump

| ITEM NAME | PART NUMBER | QUANTITY |
|------------------------------------|-------------|----------|
| GASKET,WATER PUMP (Ref # 11060) | 11060-1131 | 1 |
| COVER-PUMP (Ref # 16142) | 16142-1055 | 1 |
| SEAL-MECHANICAL (Ref # 49063) | 49063-1054 | 1 |
| IMPELLER (Ref # 59256) | 59256-1055 | 1 |
| NUT,FLANGED,6MM (Ref # 92015) | 92015-1078 | 1 |
| WASHER,6.2X11X1 (Ref # 92022) | 92022-304 | 1 |
| SHIM,T=0.8 (Ref # 92025) | 92025-1503 | AR |
| SHIM,T=1.4 (Ref # 92025A) | 92025-1506 | AR |
| SHIM,T=0.8 (Ref # 92025B) | 92025-1507 | AR |
| SEAL-OIL,SC10227 (Ref # 92049) | 92049-1157 | 1 |
| BOLT-FLANGED-SMALL (Ref # 132) | 132J0608 | 1 |
| BOLT-FLANGED-SMALL (Ref # 132A) | 132J0630 | 2 |
| BOLT-FLANGED-SMALL (Ref # 132B) | 132J0645 | 1 |
| WASHER-PLAIN,6MM,BLACK (Ref # 411) | 411F0600 | 1 |
| ROLLER,4X8 (Ref # 610) | 610A0408 | 2 |
| O RING,6MM (Ref # 670) | 670B1506 | 1 |