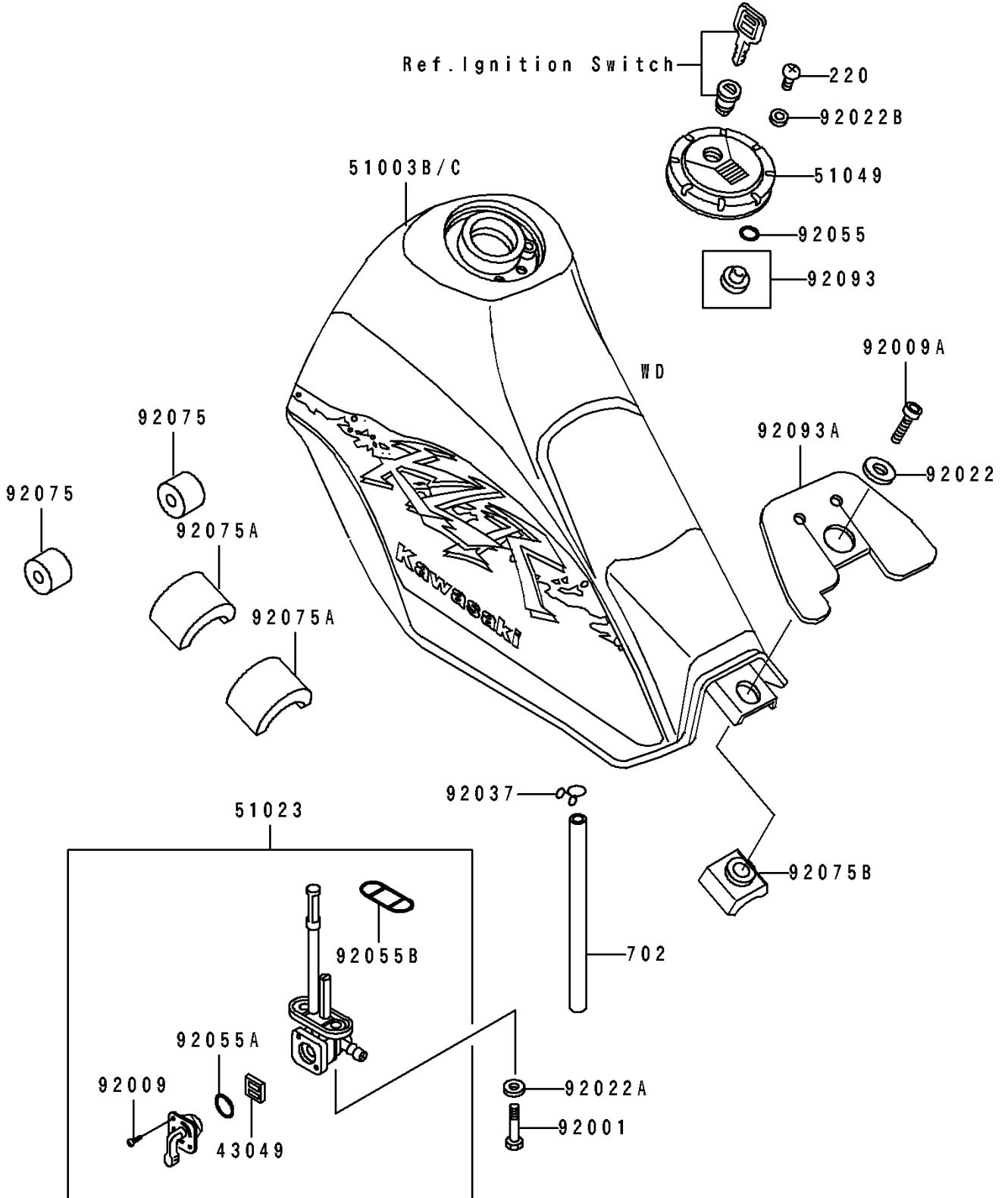


# 1993 KLR250 PARTS DIAGRAM

Fuel Tank(KL250-D10)

F2410



# 1993 KLR250 PARTS LIST

Fuel Tank(KL250-D10)

ITEM NAME	PART NUMBER	QUANTITY
PACKING,FUEL TAP LEVER (Ref # 43049)	43049-1017	1
TANK-COMP-FUEL,P.WHITE (Ref # 51003B)	51003-5217-F1	1
TANK-COMP-FUEL,P.WHITE (Ref # 51003C)	51003-5221-F1	1
TAP-ASSY,FUEL (Ref # 51023)	51023-1112	1
CAP-TANK,FUEL (Ref # 51049)	51049-1077	1
BOLT,6X20 (Ref # 92001)	92001-1091	2
SCREW,3X5 (Ref # 92009)	92009-1123	2
SCREW,6X8 (Ref # 92009A)	92009-1294	1
WASHER,6.2X38X1.2 (Ref # 92022)	92022-1659	1
WASHER,6.2X11X1.5 (Ref # 92022A)	92022-183	2
WASHER,5.1X10X1.0 (Ref # 92022B)	92022-1977	2
CLAMP (Ref # 92037)	92037-1610	1
RING-O (Ref # 92055)	92055-1023	2
RING-O,FUEL TAP LEVER (Ref # 92055A)	92055-1111	1
RING-O,FUEL TAP PACKING (Ref # 92055B)	92055-1112	1
DAMPER,FUEL TANK (Ref # 92075)	92075-125	2
DAMPER,FUEL TANK (Ref # 92075A)	92075-1382	2
DAMPER,FUEL TANK (Ref # 92075B)	92075-1638	1
SEAL,FUEL TANK CAP (Ref # 92093)	92093-1030	1
SEAL,FUEL TANK (Ref # 92093A)	92093-1182	1
SCREW-PAN-CROS (Ref # 220)	220D0510	2
TUBE-RUBBER,5X750 (Ref # 702)	702A05750	1