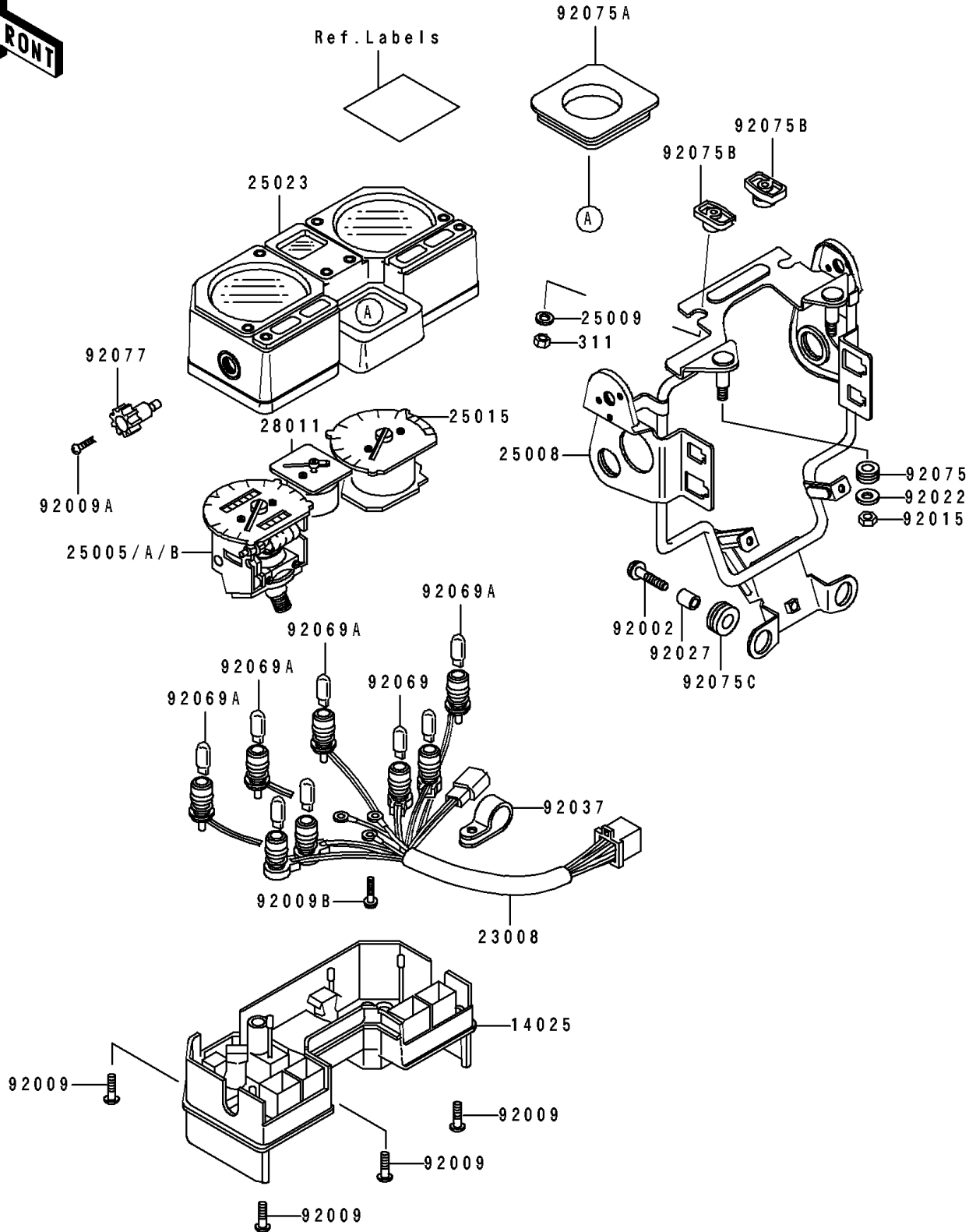


1996 KLR250 PARTS DIAGRAM

Meter(s)

F2530



1996 KLR250 PARTS LIST

Meter(s)

ITEM NAME	PART NUMBER	QUANTITY
COVER,METER CASE,LWR (Ref # 14025)	14025-1818	1
SOCKET-ASSY,METER (Ref # 23008)	23008-1215	1
SPEEDOMETER,KPH (Ref # 25005)	25005-1285	1
SPEEDOMETER,MPH (Ref # 25005A)	25005-1287	1
BRACKET-METER (Ref # 25008)	25008-1104	1
WASHER,5.2X16X1.2 (Ref # 25009)	25009-004	2
TACHOMETER,X1000R/MIN (Ref # 25015)	25015-1226	1
COVER-METER CASE,UPP (Ref # 25023)	25023-1107	1
METER,TEMP (Ref # 28011)	28011-1058	1
BOLT,6X25 (Ref # 92002)	92002-1137	2
SCREW,TAPPING,4X16 (Ref # 92009)	92009-1163	4
SCREW,2X6,BLACK (Ref # 92009A)	92009-1172	1
SCREW,3X22 (Ref # 92009B)	92009-1293	3
NUT,6MM (Ref # 92015)	92015-1391	2
WASHER,6.5X20X1.6 (Ref # 92022)	92022-125	2
COLLAR,6.8X10X12 (Ref # 92027)	92027-162	2
CLAMP,METER,SOCKET ASSY (Ref # 92037)	92037-1479	1
BULB,12V 3.4W (Ref # 92069)	92069-1007	4
BULB,12V 1.7W (Ref # 92069A)	92069-1059	4
DAMPER (Ref # 92075)	92075-024	2
DAMPER,IGNITION SWITCH (Ref # 92075A)	92075-1578	1
DAMPER,METER BRACKET (Ref # 92075B)	92075-1581	2
DAMPER (Ref # 92075C)	92075-209	2
KNOB,METER (Ref # 92077)	92077-1054	1
NUT-HEX (Ref # 311)	311C0500	2