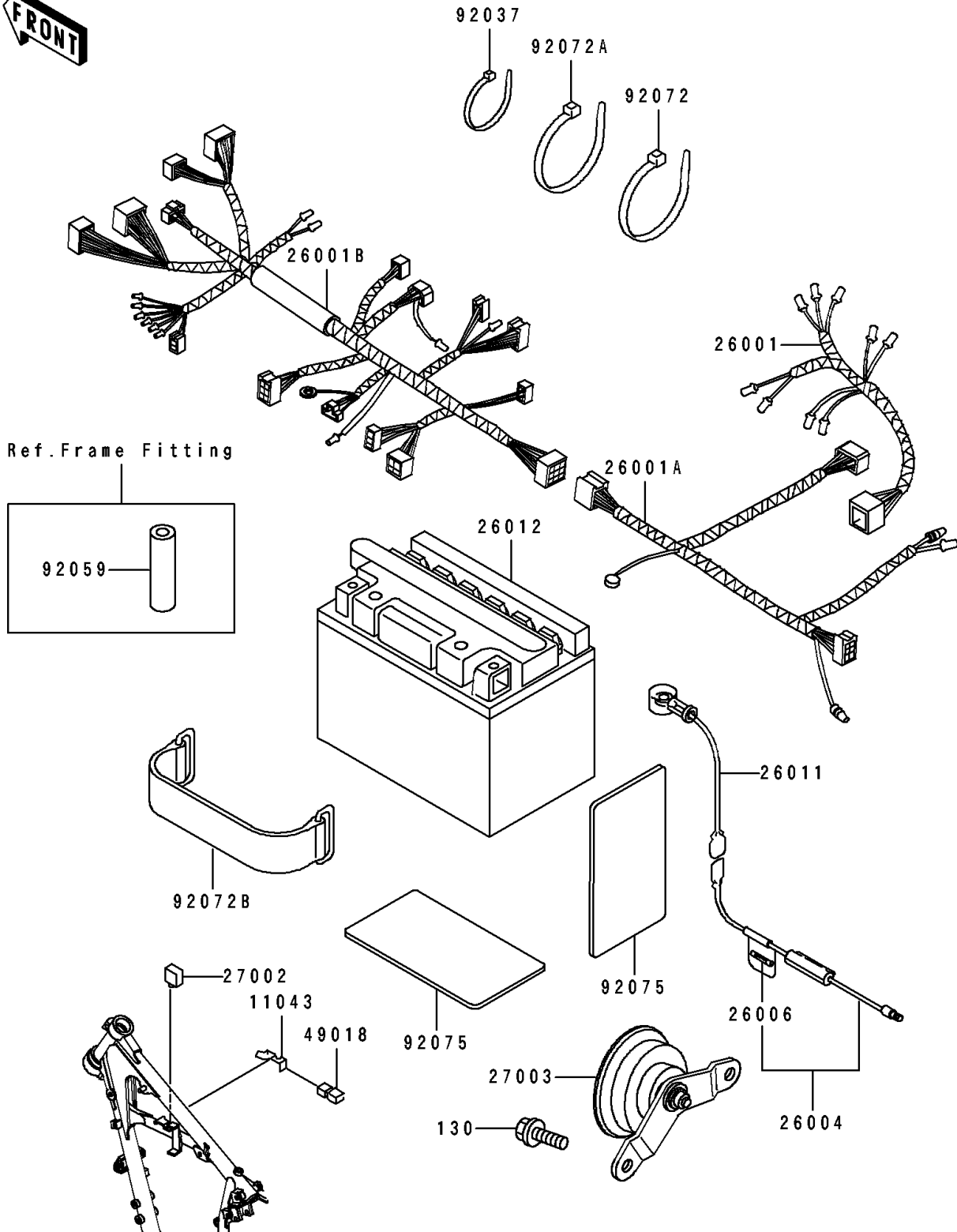


1994 KLR250 PARTS DIAGRAM

Chassis Electrical Equipment

F2760



1994 KLR250 PARTS LIST

Chassis Electrical Equipment

ITEM NAME	PART NUMBER	QUANTITY
BRACKET,DIODE (Ref # 11043)	11043-1376	1
HARNESS,RR (Ref # 26001)	26001-1586	1
HARNESS,CNT (Ref # 26001A)	26001-1677	1
HARNESS,FR(MAIN) (Ref # 26001B)	26001-1698	1
FUSE-ASSY (Ref # 26004)	26004-1055	1
FUSE,20A,L=30 (Ref # 26006)	26006-1056	1
WIRE-LEAD,BATTERY (Ref # 26011)	26011-1264	1
BATTERY,12V 4AH,FB4L-A (Ref # 26012)	26012-1195	1
RELAY-ASSY,TURN SIGNAL (Ref # 27002)	27002-1053	1
HORN (Ref # 27003)	27003-1306	1
DIODE (Ref # 49018)	49018-1052	1
CLAMP,BAND,L=120 (Ref # 92037)	92037-1483	6
TUBE,8X9X38 (Ref # 92059)	92059-1799	1
BAND,L=218 (Ref # 92072)	92072-032	1
BAND,L=186 (Ref # 92072A)	92072-056	2
BAND,BATTERY,L=105 (Ref # 92072B)	92072-1173	1
DAMPER,MAT (Ref # 92075)	92075-1582	2
BOLT-FLANGED,6X14 (Ref # 130)	130D0614	2