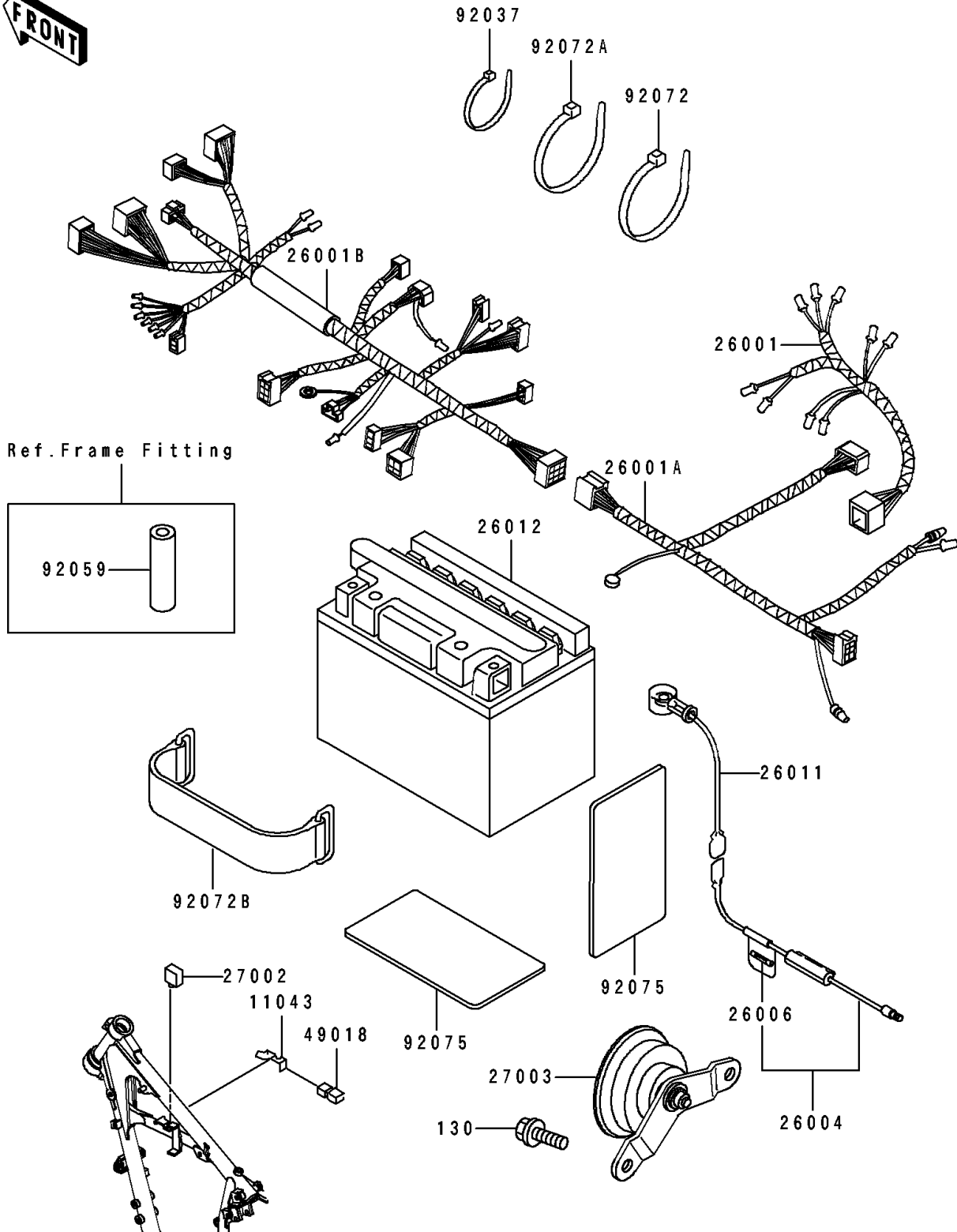


1996 KLR250 PARTS DIAGRAM

Chassis Electrical Equipment

F2760



1996 KLR250 PARTS LIST

Chassis Electrical Equipment

| ITEM NAME | PART NUMBER | QUANTITY |
|--------------------------------------|-------------|----------|
| BRACKET,DIODE (Ref # 11043) | 11043-1376 | 1 |
| HARNESS,RR (Ref # 26001) | 26001-1586 | 1 |
| HARNESS,CNT (Ref # 26001A) | 26001-1677 | 1 |
| HARNESS,FR(MAIN) (Ref # 26001B) | 26001-1698 | 1 |
| FUSE-ASSY (Ref # 26004) | 26004-1055 | 1 |
| FUSE,20A,L=30 (Ref # 26006) | 26006-1056 | 1 |
| WIRE-LEAD,BATTERY (Ref # 26011) | 26011-1264 | 1 |
| BATTERY,12V 4AH,FB4L-A (Ref # 26012) | 26012-1195 | 1 |
| RELAY-ASSY,TURN SIGNAL (Ref # 27002) | 27002-1053 | 1 |
| HORN (Ref # 27003) | 27003-1306 | 1 |
| DIODE (Ref # 49018) | 49018-1052 | 1 |
| CLAMP,BAND,L=120 (Ref # 92037) | 92037-1483 | 6 |
| TUBE,8X9X38 (Ref # 92059) | 92059-1799 | 1 |
| BAND,L=218 (Ref # 92072) | 92072-032 | 1 |
| BAND,L=186 (Ref # 92072A) | 92072-056 | 2 |
| BAND,BATTERY,L=105 (Ref # 92072B) | 92072-1173 | 1 |
| DAMPER,MAT (Ref # 92075) | 92075-1582 | 2 |
| BOLT-FLANGED,6X14 (Ref # 130) | 130D0614 | 2 |