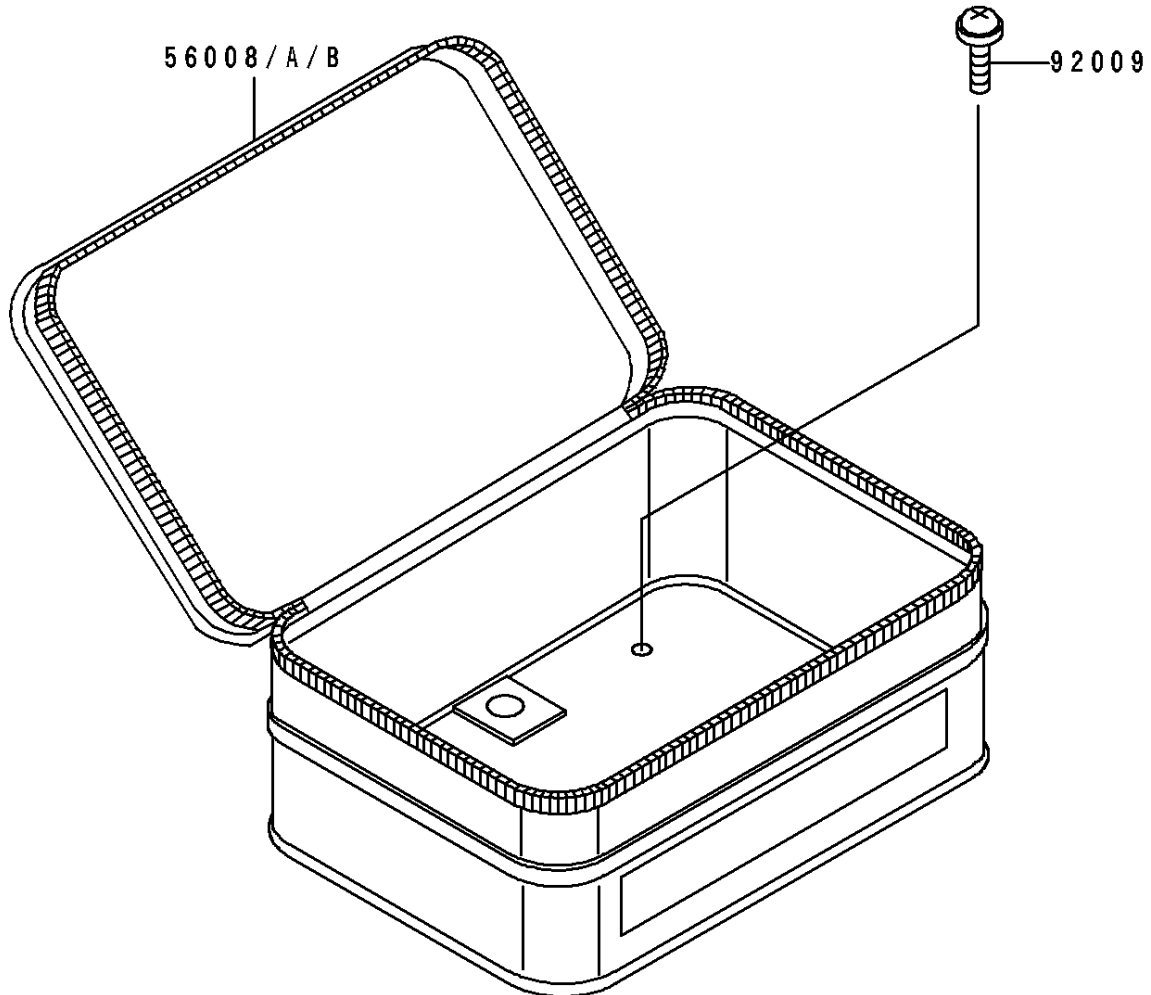


# 1994 KLR250 PARTS DIAGRAM

Accessory

F2910



# 1994 KLR250 PARTS LIST

## Accessory

| ITEM NAME                      | PART NUMBER   | QUANTITY |
|--------------------------------|---------------|----------|
| BAG,TOOL,VIOLET (Ref # 56008B) | 56008-1054-PL | 1        |
| SCREW,6X22,BLACK (Ref # 92009) | 92009-1256    | 4        |