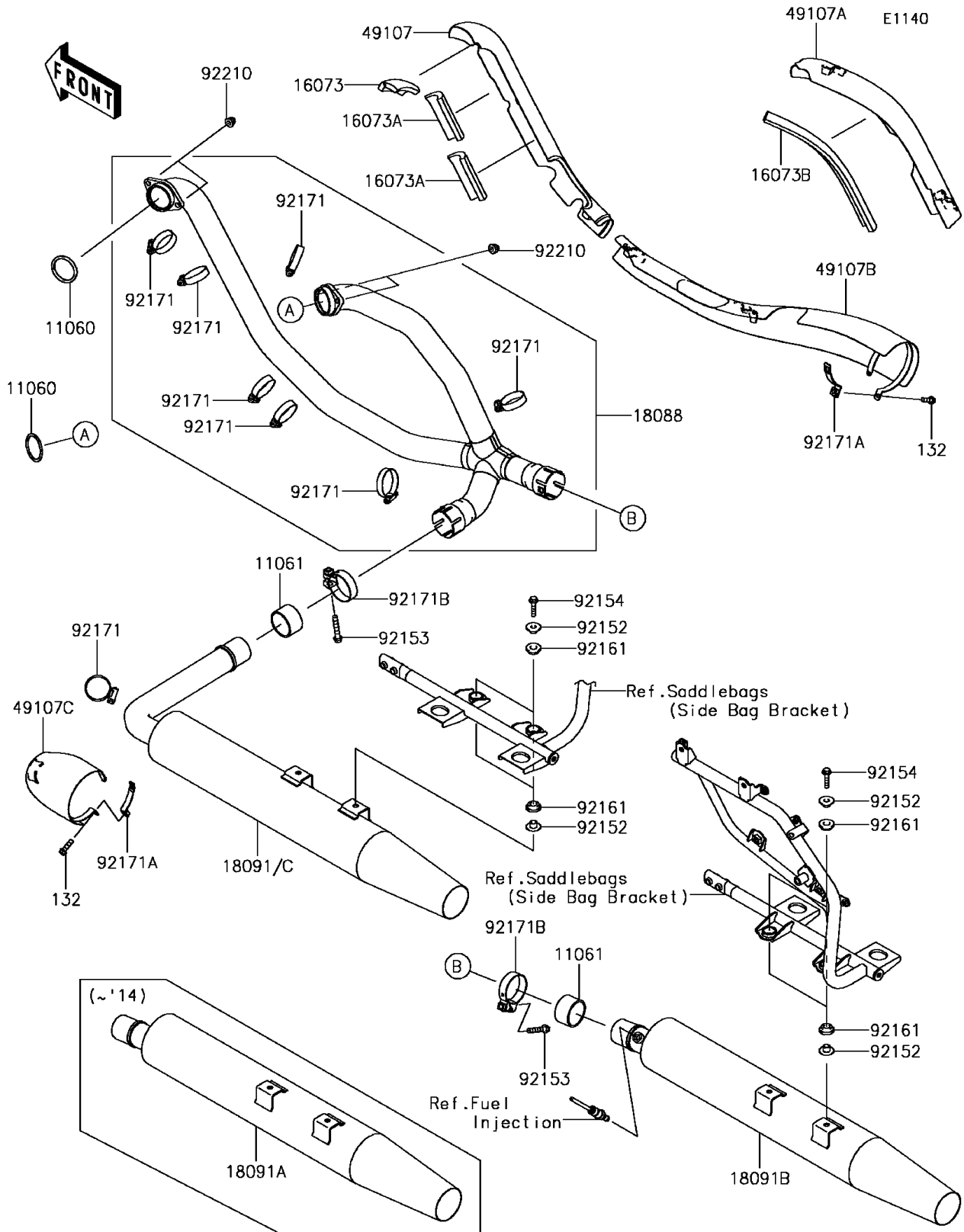


2015 Vulcan 1700 Voyager ABS PARTS DIAGRAM

Muffler(s)



2015 Vulcan 1700 Voyager ABS PARTS LIST

Muffler(s)

ITEM NAME	PART NUMBER	QUANTITY
BOLT-FLANGED-SMALL,6X20 (Ref # 132)	132BC0620	2
GASKET,EXHAUST PIPE (Ref # 11060)	11060-1119	2
GASKET,MUFFLER CONNECTING (Ref # 11061)	11061-0240	2
INSULATOR (Ref # 16073)	16073-0125	1
INSULATOR (Ref # 16073A)	16073-0126	2
INSULATOR (Ref # 16073B)	16073-0128	1
PIPE-EXHAUST (Ref # 18088)	18088-0414	1
BODY-COMP-MUFFLER,RH (Ref # 18091B)	18091-0938	1
BODY-COMP-MUFFLER,LH (Ref # 18091C)	18091-0955	1
COVER-EXHAUST PIPE,FR-F (Ref # 49107)	49107-0166	1
COVER-EXHAUST PIPE,RR (Ref # 49107A)	49107-0167	1
COVER-EXHAUST PIPE,FR-R (Ref # 49107B)	49107-0168	1
COVER-EXHAUST PIPE,LH (Ref # 49107C)	49107-0169	1
COLLAR,8.8X12X10.6 (Ref # 92152)	92152-0082	8
BOLT,8X45 (Ref # 92153)	92153-0702	2
BOLT,FLANGED,8X32 (Ref # 92154)	92154-0136	4
DAMPER (Ref # 92161)	92161-0135	8
CLAMP (Ref # 92171)	92171-0072	8
CLAMP (Ref # 92171A)	92171-0294	2
CLAMP (Ref # 92171B)	92171-0358	2
NUT,CAP,8MM (Ref # 92210)	92210-1132	4