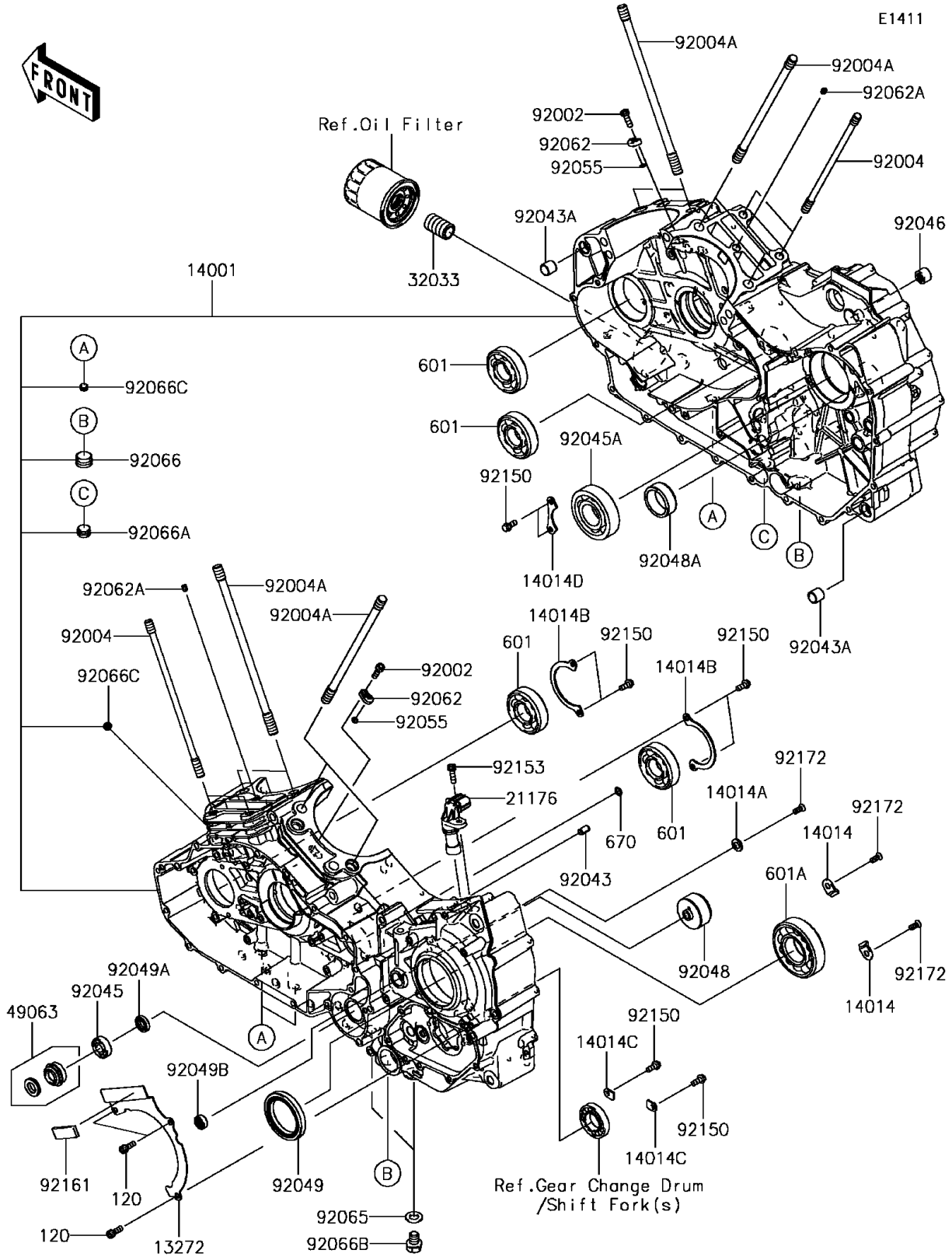


2015 Vulcan 1700 Voyager ABS PARTS DIAGRAM

Crankcase



2015 Vulcan 1700 Voyager ABS PARTS LIST

Crankcase

| ITEM NAME | PART NUMBER | QUANTITY |
|-----------|-------------|----------|
|-----------|-------------|----------|