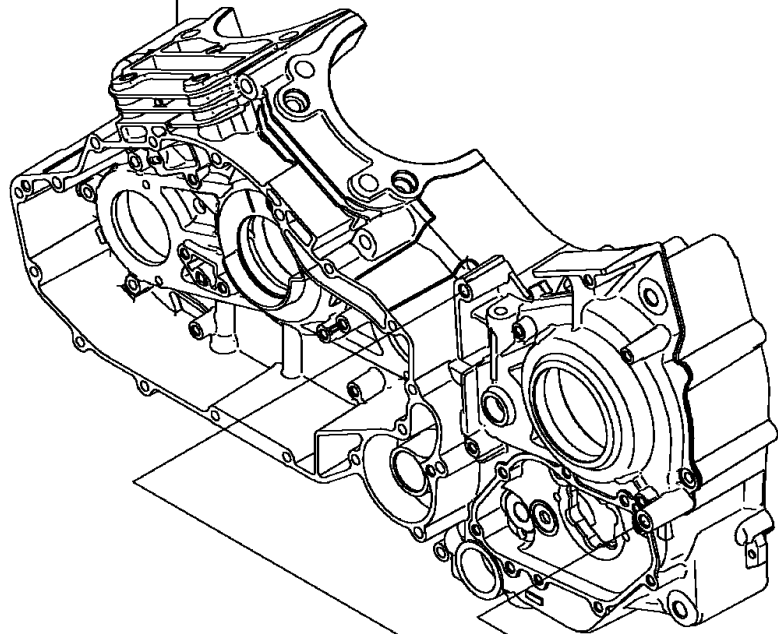


2015 Vulcan 1700 Voyager ABS PARTS DIAGRAM

Chain Cover

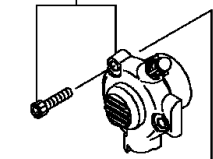
Ref. Crankcase

E1433



Ref. Clutch

92043



120

14091

49048

53044

92043

120A

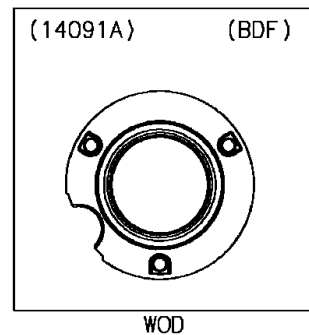
14091A

120A

120

92153

92153



2015 Vulcan 1700 Voyager ABS PARTS LIST

Chain Cover

ITEM NAME	PART NUMBER	QUANTITY
BOLT-SOCKET,6X40 (Ref # 120)	120CC0640	2
BOLT-SOCKET,6X70 (Ref # 120A)	120CC0670	2
COVER,PULLEY (Ref # 14091)	14091-0970	1
COVER,PULLEY,OUTER (Ref # 14091A)	14091-0994	1
SHOE (Ref # 49048)	49048-0004	1
TRIM,ISOLATOR (Ref # 53044)	53044-0047	1
PIN,6.2X8X14 (Ref # 92043)	92043-1263	2
BOLT,SOCKET,6X22 (Ref # 92153)	92153-1331	3