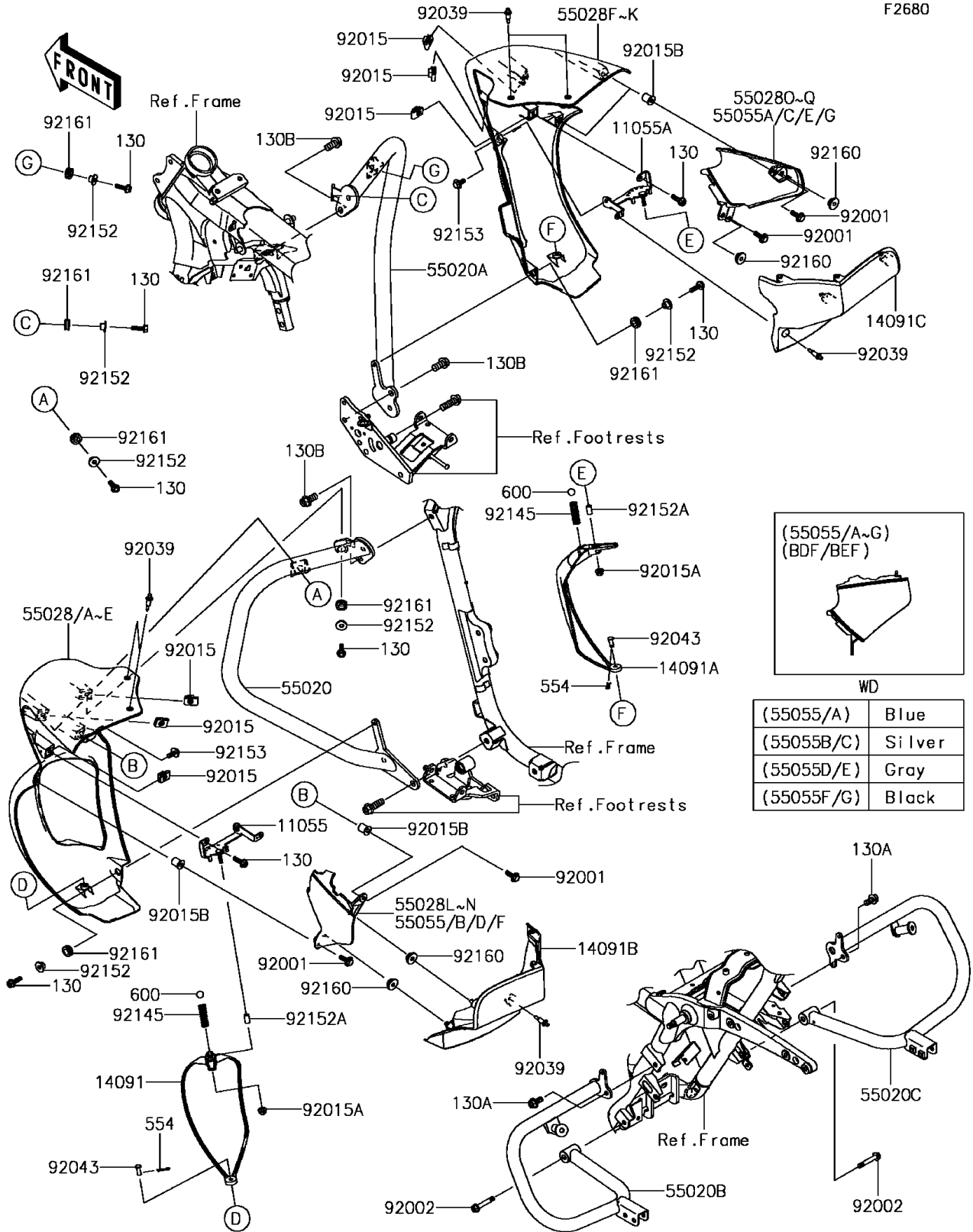


# 2015 Vulcan 1700 Voyager ABS PARTS DIAGRAM

Guard(s)

F2680



## 2015 Vulcan 1700 Voyager ABS PARTS LIST

Guard(s)

ITEM NAME	PART NUMBER	QUANTITY
BRACKET,VENTILATION,LH,UPP (Ref # 11055)	11055-0687	1
BRACKET,VENTILATION,RH,UPP (Ref # 11055A)	11055-0688	1
COVER,VENTILATION,LH,F.BLACK (Ref # 14091)	14091-1618-6Z	1
COVER,VENTILATION,RH,F.BLACK (Ref # 14091A)	14091-1619-6Z	1
COVER,LH (Ref # 14091B)	14091-1787	1
COVER,RH (Ref # 14091C)	14091-1788	1
GUARD,FR,LH (Ref # 55020)	55020-0512	1
GUARD,FR,RH (Ref # 55020A)	55020-0513	1
GUARD,RR,LH (Ref # 55020B)	55020-0535	1
GUARD,RR,RH (Ref # 55020C)	55020-0536	1
COWLING,LEG SHIELD,OUT,LH,GRAY (Ref # 55028A)	55028-0220-51A	1
COWLING,LEG SHIELD,OUT,RH,GRAY (Ref # 55028G)	55028-0221-51A	1
COWLING,LEG SHIELD,IN,LH,BLACK (Ref # 55028M)	55028-0222-660	1
COWLING,LEG SHIELD,IN,RH,BLACK (Ref # 55028P)	55028-0223-660	1
BOLT,WP,6X20 (Ref # 92001)	92001-1460	4
BOLT,FLANGED,8X47 (Ref # 92002)	92002-1850	2
NUT,6MM (Ref # 92015)	92015-1602	6
NUT,LOCK,FLANGED,6MM (Ref # 92015A)	92015-1675	2
BOLT-FLANGED,6X20 (Ref # 130)	130BA0620	8
BOLT-FLANGED,8X16 (Ref # 130A)	130BA0816	2
BOLT-FLANGED,10X20 (Ref # 130B)	130BC1020	3
PIN-SNAP,1.2X21.2 (Ref # 554)	554DA0600	2
BALL-STEEL,1/4 (Ref # 600)	600A0800	2
NUT (Ref # 92015B)	92015-1700	4
RIVET (Ref # 92039)	92039-1283	6
PIN,6X11 (Ref # 92043)	92043-092	2
SPRING (Ref # 92145)	92145-1319	2
COLLAR (Ref # 92152)	92152-0295	6
COLLAR,6.2X7.8X14 (Ref # 92152A)	92152-0771	2

## 2015 Vulcan 1700 Voyager ABS PARTS LIST

Guard(s)

ITEM NAME	PART NUMBER	QUANTITY
BOLT,6X16 (Ref # 92153)	92153-1215	2
DAMPER (Ref # 92160)	92160-1613	4
DAMPER (Ref # 92161)	92161-0266	6