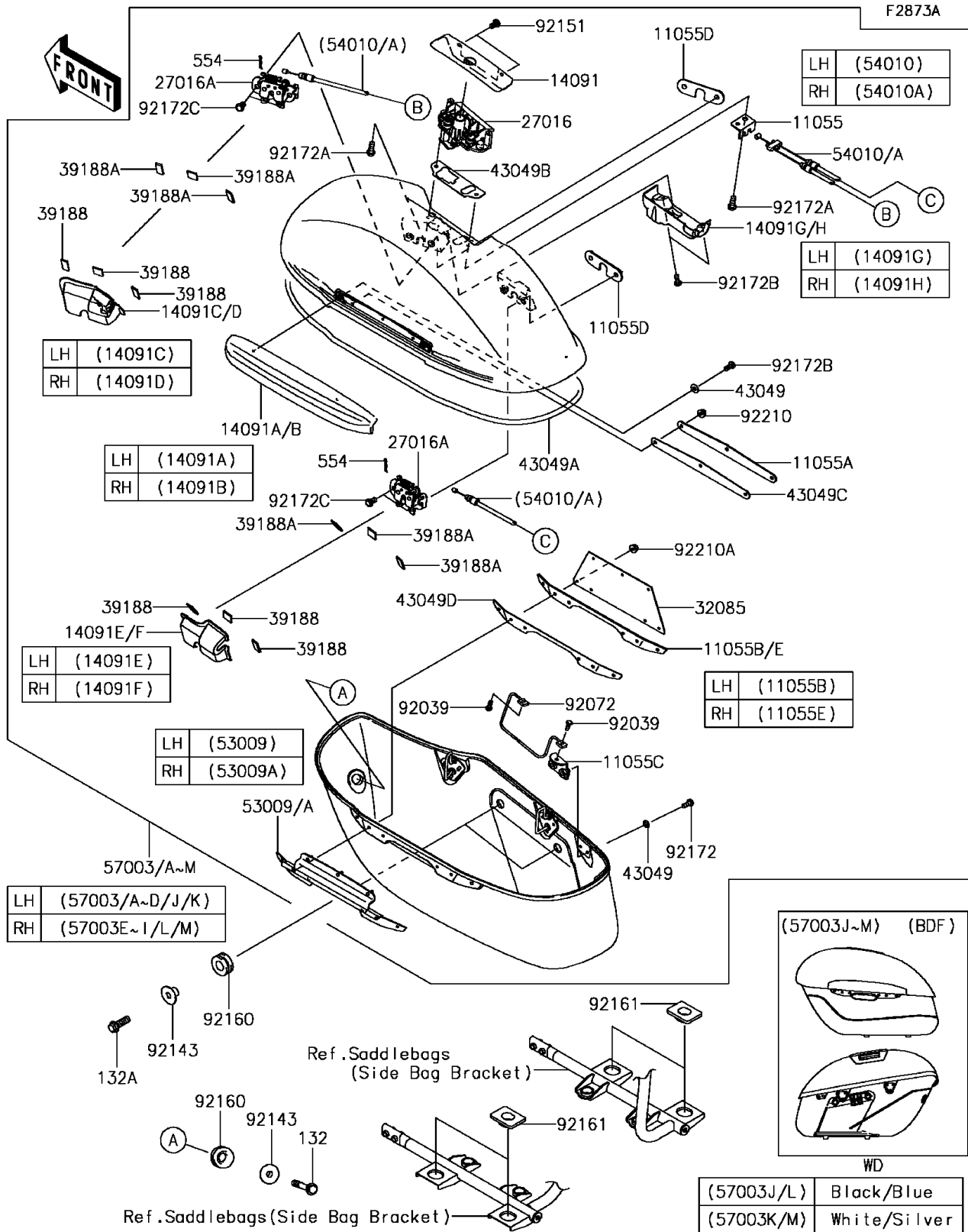


# 2017 Vulcan 1700 Voyager ABS PARTS DIAGRAM

Saddlebags(Side Bag)



## 2017 Vulcan 1700 Voyager ABS PARTS LIST

### Saddlebags(Side Bag)

ITEM NAME	PART NUMBER	QUANTITY
BRACKET (Ref # 11055)	11055-1910	2
BRACKET (Ref # 11055A)	11055-1911	2
BRACKET,LH (Ref # 11055B)	11055-1912	1
BRACKET,BELT (Ref # 11055C)	11055-1913	2
BRACKET (Ref # 11055D)	11055-1916	4
BRACKET,RH (Ref # 11055E)	11055-1917	1
COVER,PANNIER LOCK (Ref # 14091)	14091-1667	2
COVER,PANNIER HINGE,LH (Ref # 14091A)	14091-1668	1
COVER,PANNIER HINGE,RH (Ref # 14091B)	14091-1669	1
COVER,PANNIER LOCK,FR,LH (Ref # 14091C)	14091-1749	1
COVER,PANNIER LOCK,FR,RH (Ref # 14091D)	14091-1750	1
COVER,PANNIER LOCK,RR,LH (Ref # 14091E)	14091-1751	1
COVER,PANNIER LOCK,RR,RH (Ref # 14091F)	14091-1752	1
COVER,PANNIER LOCK,CNT,LH (Ref # 14091G)	14091-1753	1
COVER,PANNIER LOCK,CNT,RH (Ref # 14091H)	14091-1754	1
LOCK-ASSY,PANNIER CASE (Ref # 27016)	27016-0026	2
LOCK-ASSY,PANNIER CASE,STRIKER (Ref # 27016A)	27016-0029	4
STOPPER (Ref # 32085)	32085-0187	2
TAPE,10X15 (Ref # 39188)	39188-0014	12
TAPE,15X10 (Ref # 39188A)	39188-0015	12
PACKING (Ref # 43049)	43049-0019	8
PACKING (Ref # 43049A)	43049-0022	2
PACKING (Ref # 43049B)	43049-0023	2
PACKING (Ref # 43049C)	43049-0024	2
PACKING (Ref # 43049D)	43049-0026	2
HINGE,LH (Ref # 53009)	53009-0029	1
HINGE,RH (Ref # 53009A)	53009-0030	1
CABLE,PANNIER CASE,LH (Ref # 54010)	54010-0113	1
CABLE,PANNIER CASE,RH (Ref # 54010A)	54010-0114	1

## 2017 Vulcan 1700 Voyager ABS PARTS LIST

### Saddlebags(Side Bag)

ITEM NAME	PART NUMBER	QUANTITY
BAG-ASSY,PANNIER,LH,GRAY+BLK (Ref # 57003D)	57003-0091-60D	1
BAG-ASSY,PANNIER,RH,GRAY+BLK (Ref # 57003I)	57003-0092-60D	1
BOLT-FLANGED-SMALL,8X60 (Ref # 132)	132BA0860	2
BOLT-FLANGED-SMALL,8X25 (Ref # 132A)	132BB0825	4
PIN-SNAP (Ref # 554)	554DA0500	4
RIVET (Ref # 92039)	92039-0063	4
BAND,L=320MM (Ref # 92072)	92072-0140	2
COLLAR (Ref # 92143)	92143-1450	6
BOLT,SOCKET,6X10 (Ref # 92151)	92151-1449	4
DAMPER (Ref # 92160)	92160-1012	6
DAMPER (Ref # 92161)	92161-0607	4
SCREW (Ref # 92172)	92172-0450	4
SCREW,6X16 (Ref # 92172A)	92172-0452	4
SCREW,TAPPING,5X12 (Ref # 92172B)	92172-0453	8
SCREW,6X16 (Ref # 92172C)	92172-0454	8
NUT,CAP,4MM (Ref # 92210)	92210-0434	6
NUT (Ref # 92210A)	92210-0577	8