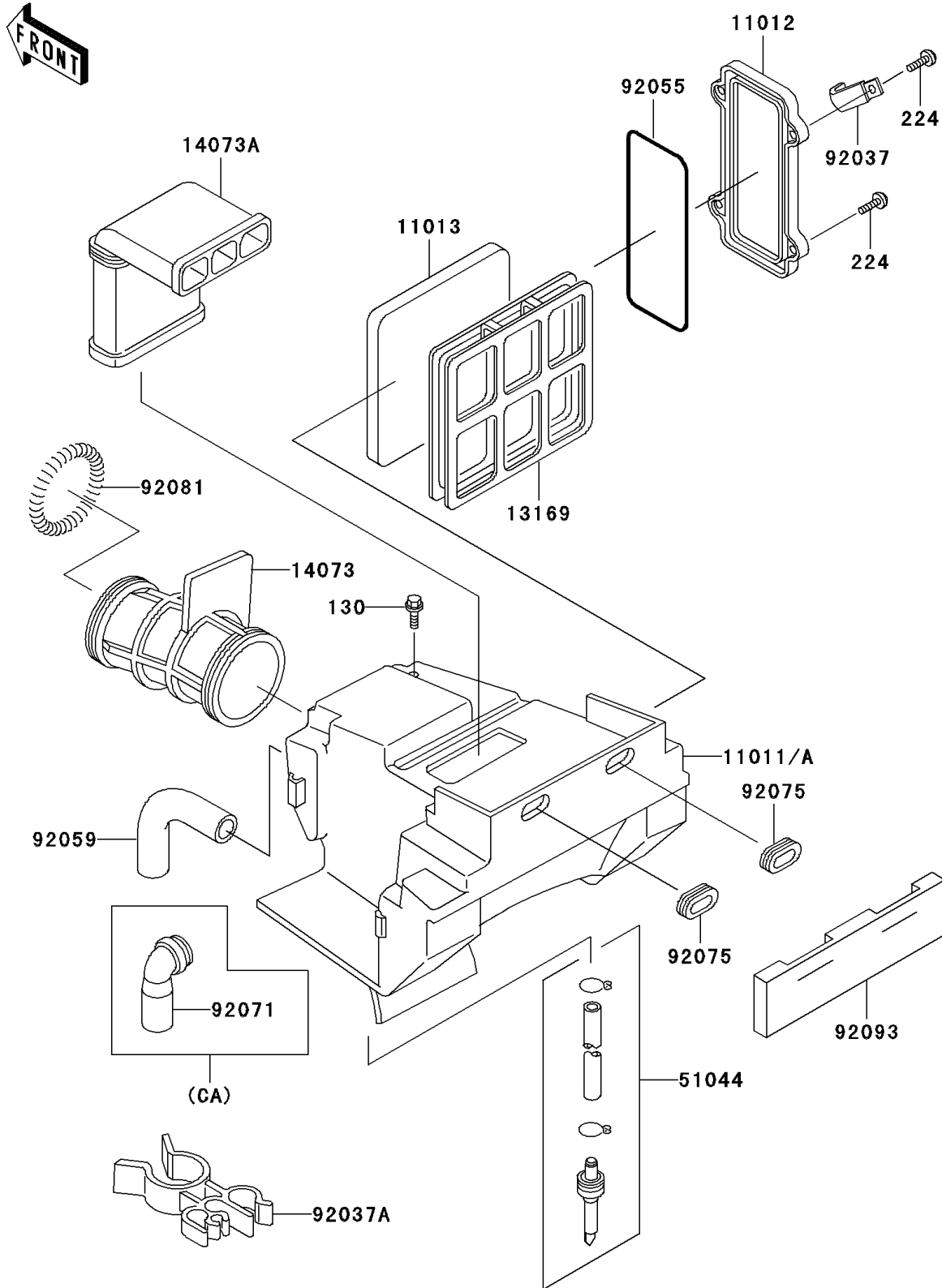


2001 KLR250 PARTS DIAGRAM

Air Cleaner

E1130



2001 KLR250 PARTS LIST

Air Cleaner

| ITEM NAME | PART NUMBER | QUANTITY |
|---|-------------|----------|
| BOLT-FLANGED,6X12 (Ref # 130) | 130G0612 | 1 |
| SCREW-PAN-WP-CROS (Ref # 224) | 224C0614 | 4 |
| CAP,ELEMENT (Ref # 11012) | 11012-1661 | 1 |
| ELEMENT-AIR FILTER (Ref # 11013) | 11013-1117 | 1 |
| PLATE,ELEMENT (Ref # 13169) | 13169-1851 | 1 |
| DUCT,CARBURETOR (Ref # 14073) | 14073-1184 | 1 |
| DUCT,INTAKE (Ref # 14073A) | 14073-1185 | 1 |
| TUBE-ASSY,AIR FILTER (Ref # 51044) | 51044-1087 | 1 |
| CLAMP,WIRING HARNESS,L=60 (Ref # 92037) | 92037-1069 | 1 |
| CLAMP (Ref # 92037A) | 92037-1886 | 1 |
| RING-O,AIR FILTER (Ref # 92055) | 92055-1254 | 1 |
| TUBE,BREATHER (Ref # 92059) | 92059-1482 | 1 |
| DAMPER (Ref # 92075) | 92075-1513 | 2 |
| SPRING,COIL (Ref # 92081) | 92081-1177 | 1 |
| SEAL (Ref # 92093) | 92093-1187 | 1 |
| CASE-AIR FILTER (Ref # 11011) | 11011-1275 | 1 |
| CASE-AIR FILTER (Ref # 11011A) | 11011-1276 | 1 |
| GROMMET,AIR FILTER (Ref # 92071) | 92071-1114 | 1 |