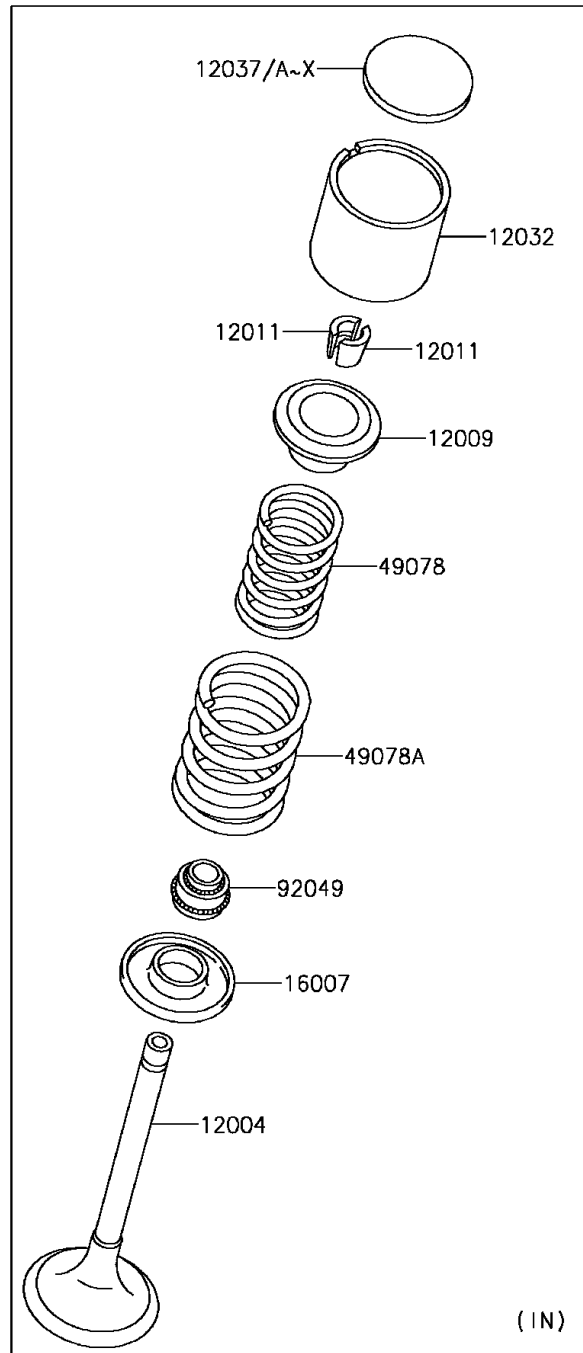
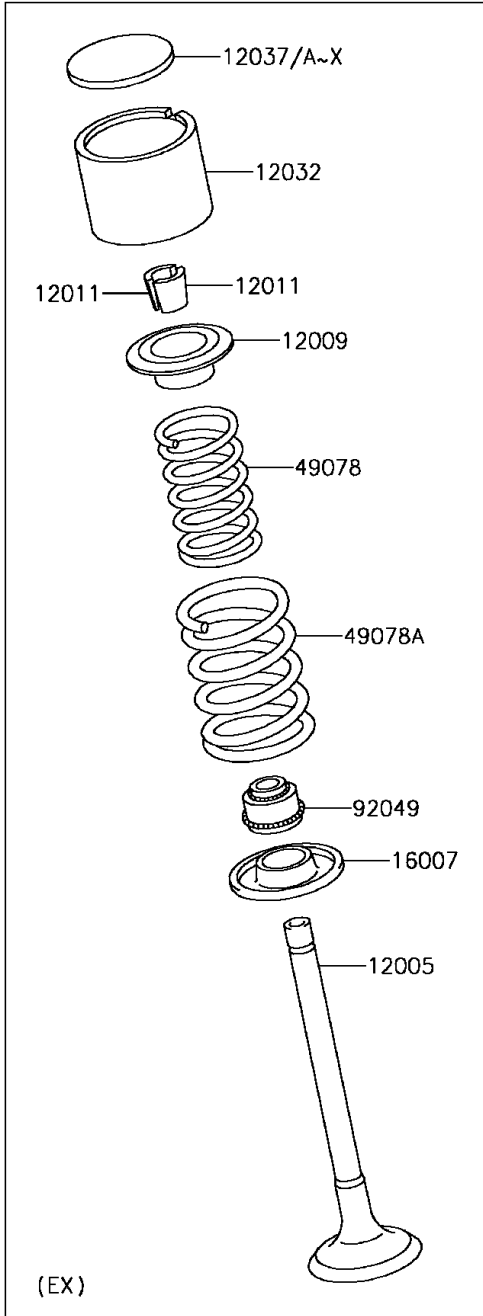


2015 KLR650 PARTS DIAGRAM

Valve(s)

E1210



2015 KLR650 PARTS LIST

Valve(s)

ITEM NAME	PART NUMBER	QUANTITY
VALVE-INTAKE (Ref # 12004)	12004-0727	2
VALVE-EXHAUST (Ref # 12005)	12005-0740	2
RETAINER-VALVE SPRING (Ref # 12009)	12009-005	4
COLLET,RETAINER (Ref # 12011)	12011-004	8
TAPPET (Ref # 12032)	12032-1002	4
SHIM,T=2.00 (Ref # 12037)	12037-001	AR
SHIM,T=2.05 (Ref # 12037A)	12037-002	AR
SHIM,T=2.10 (Ref # 12037B)	12037-003	AR
SHIM,T=2.15 (Ref # 12037C)	12037-004	AR
SHIM,T=2.20 (Ref # 12037D)	12037-005	AR
SHIM,T=2.25 (Ref # 12037E)	12037-006	AR
SHIM,T=2.30 (Ref # 12037F)	12037-007	AR
SHIM,T=2.35 (Ref # 12037G)	12037-008	AR
SHIM,T=2.40 (Ref # 12037H)	12037-009	AR
SHIM,T=2.45 (Ref # 12037I)	12037-010	AR
SHIM,T=2.50 (Ref # 12037J)	12037-011	AR
SHIM,T=2.55 (Ref # 12037K)	12037-012	AR
SHIM,T=2.60 (Ref # 12037L)	12037-013	AR
SHIM,T=2.65 (Ref # 12037M)	12037-014	AR
SHIM,T=2.70 (Ref # 12037N)	12037-015	AR
SHIM,T=2.75 (Ref # 12037O)	12037-016	AR
SHIM,T=2.80 (Ref # 12037P)	12037-017	AR
SHIM,T=2.85 (Ref # 12037Q)	12037-018	AR
SHIM,T=2.90 (Ref # 12037R)	12037-019	AR
SHIM,T=2.95 (Ref # 12037S)	12037-020	AR
SHIM,T=3.00 (Ref # 12037T)	12037-021	AR
SHIM,T=3.05 (Ref # 12037U)	12037-022	AR
SHIM,T=3.10 (Ref # 12037V)	12037-023	AR
SHIM,T=3.15 (Ref # 12037W)	12037-024	AR

2015 KLR650 PARTS LIST

Valve(s)

ITEM NAME	PART NUMBER	QUANTITY
SHIM,T=3.20 (Ref # 12037X)	12037-025	AR
SEAT-SPRING,VALVE (Ref # 16007)	16007-1024	4
SPRING-ENGINE VALVE,INNER (Ref # 49078)	49078-1065	4
SPRING-ENGINE VALVE,OUTER (Ref # 49078A)	49078-1066	4
SEAL-OIL,RV37129.5 (Ref # 92049)	92049-016	4