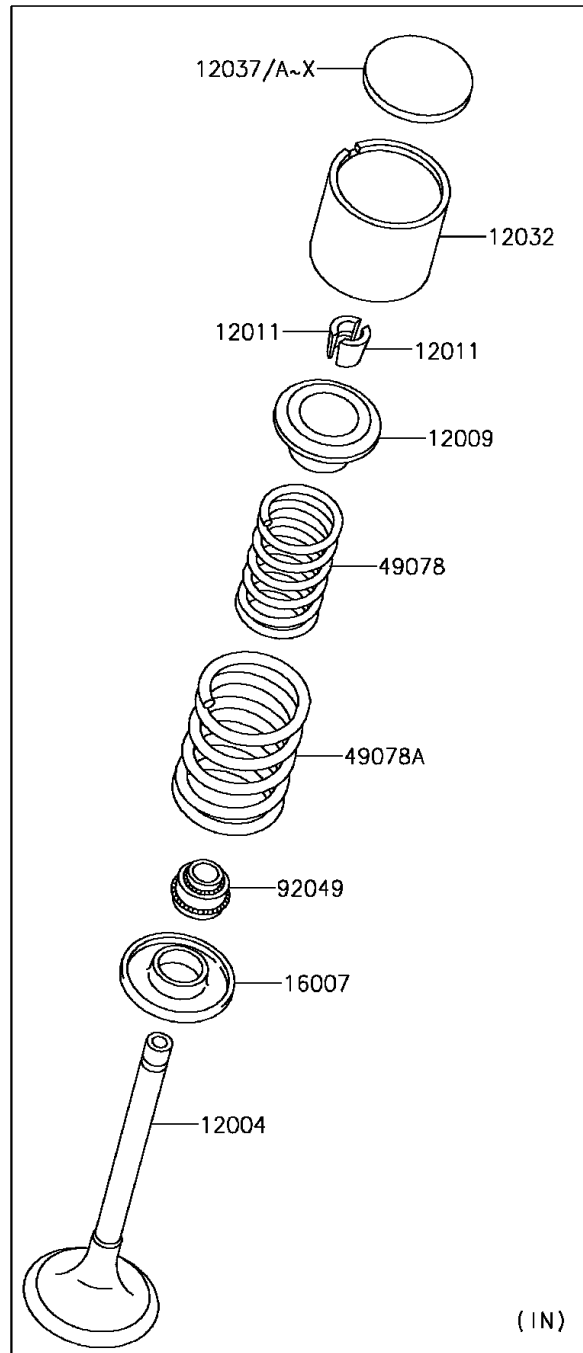
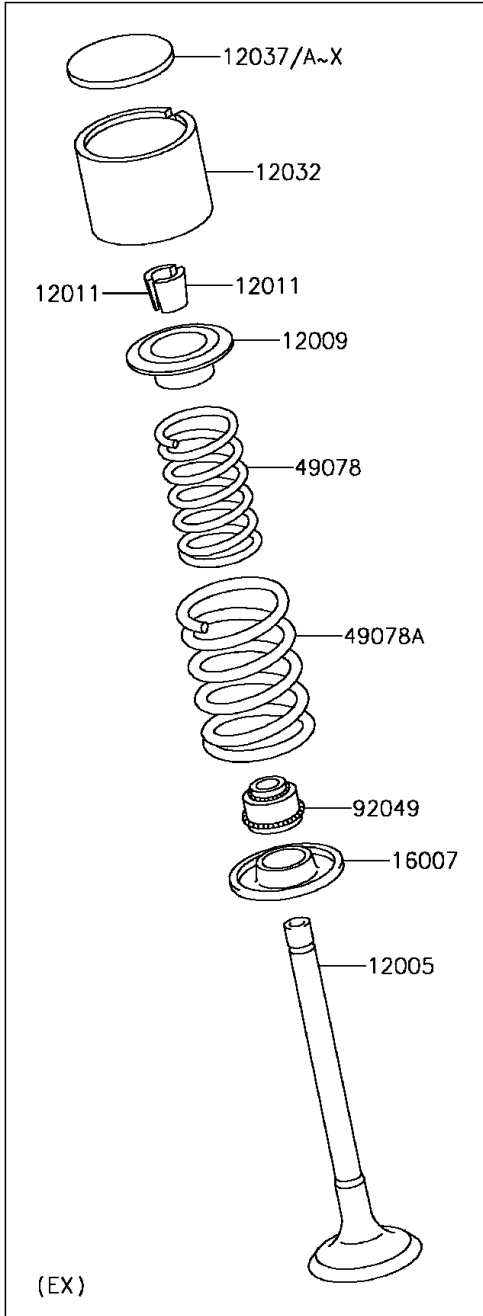


2015 KLR™ 650 PARTS DIAGRAM

Valve(s)

E1210



2015 KLR™ 650 PARTS LIST

Valve(s)

ITEM NAME	PART NUMBER	QUANTITY
-----------	-------------	----------