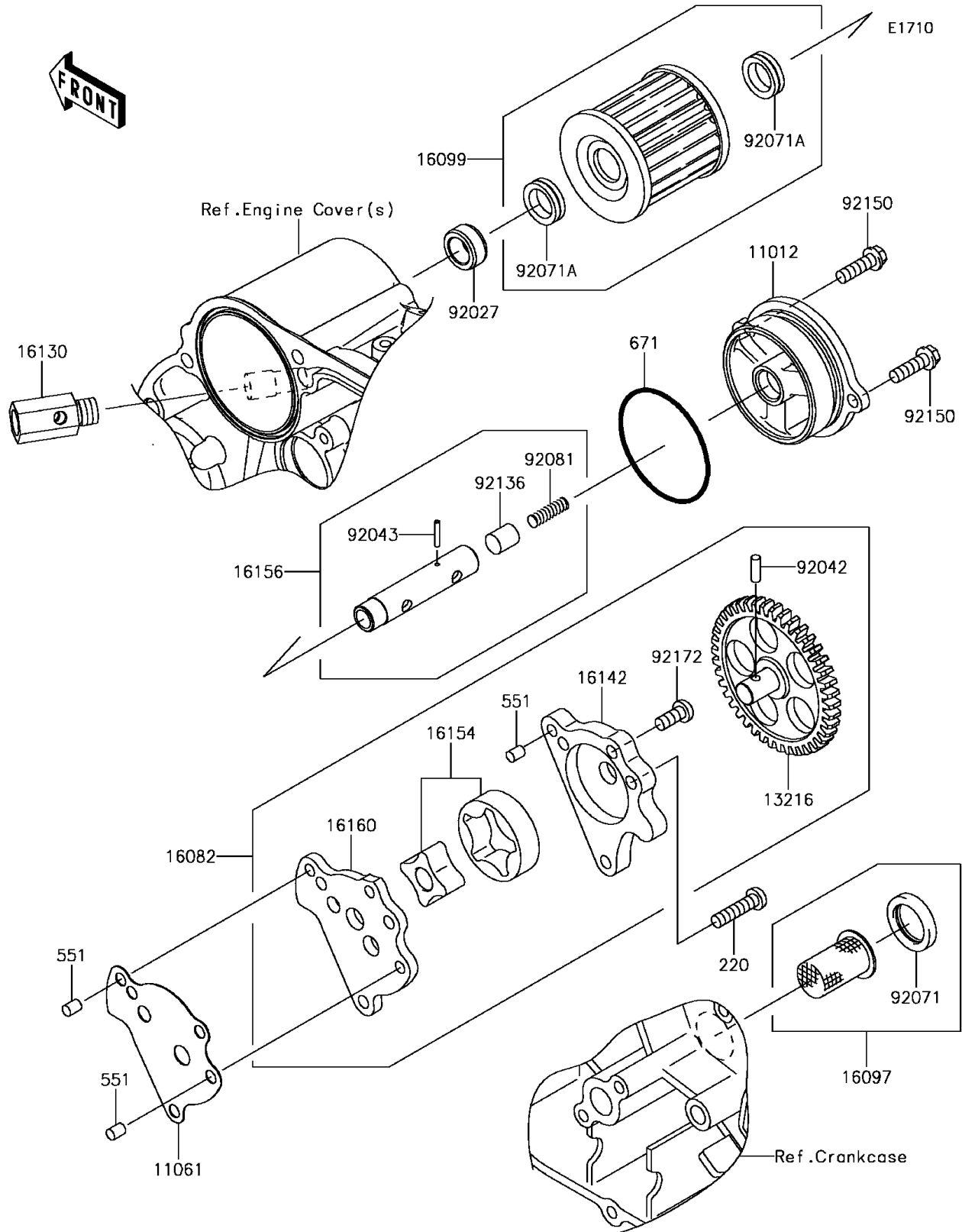


2015 KLR™ 650 PARTS DIAGRAM

Oil Pump



2015 KLR™ 650 PARTS LIST

Oil Pump

ITEM NAME	PART NUMBER	QUANTITY
-----------	-------------	----------