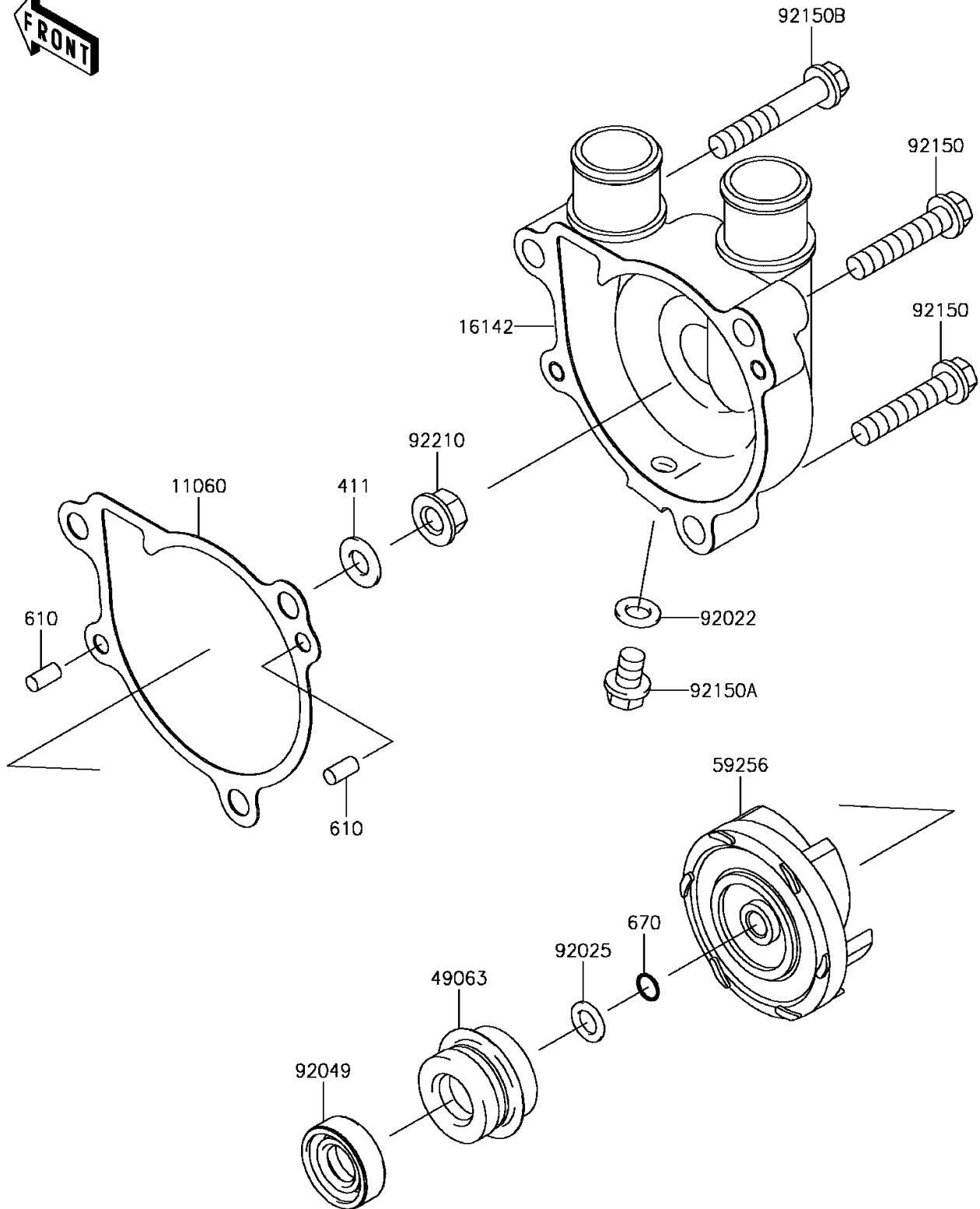


# 2015 KLR™ 650 PARTS DIAGRAM

Water Pump

E3031



# 2015 KLR™ 650 PARTS LIST

Water Pump

ITEM NAME	PART NUMBER	QUANTITY
-----------	-------------	----------