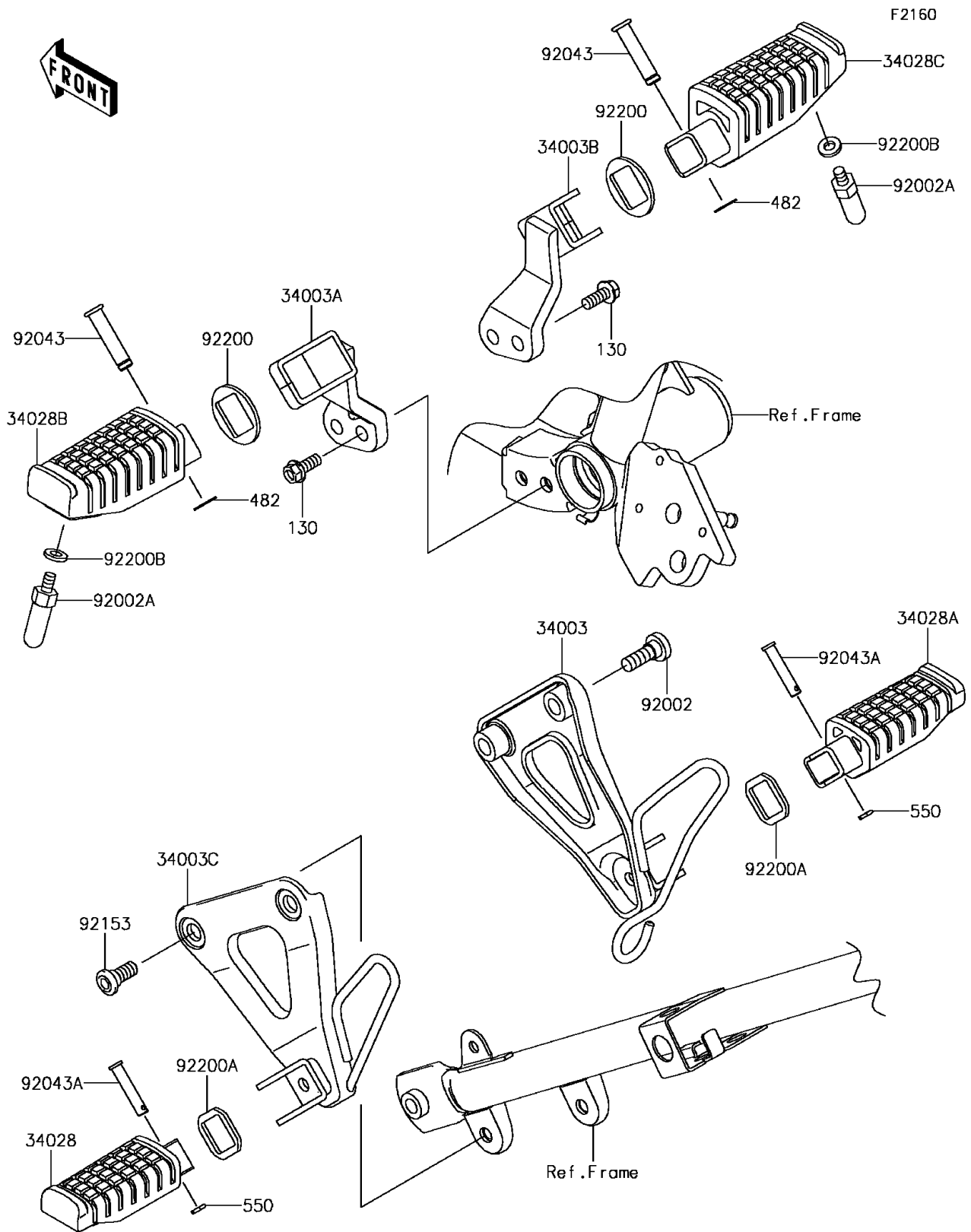


2015 KLR650 PARTS DIAGRAM

Footrests



2015 KLR650 PARTS LIST

Footrests

ITEM NAME	PART NUMBER	QUANTITY
BOLT-FLANGED,8X20 (Ref # 130)	130CA0820	4
CIRCLIP-TYPE-E (Ref # 482)	482EA7000	2
PIN-COTTER,2.0X15 (Ref # 550)	550AA2015	2
HOLDER-STEP,RR,RH,F.S.BLACK (Ref # 34003)	34003-0054-18R	1
HOLDER-STEP,FR,LH,F.S.BLACK (Ref # 34003A)	34003-0108-18R	1
HOLDER-STEP,FR,RH,F.S.BLACK (Ref # 34003B)	34003-0109-18R	1
HOLDER-STEP,RR,LH,F.S.BLACK (Ref # 34003C)	34003-1275-18R	1
STEP,RR,LH (Ref # 34028)	34028-0134	1
STEP,RR,RH (Ref # 34028A)	34028-0135	1
STEP,FR,LH (Ref # 34028B)	34028-0136	1
STEP,FR,RH (Ref # 34028C)	34028-0137	1
BOLT,SOCKET,8X23.5 (Ref # 92002)	92002-1598	2
BOLT,BANK SENSOR (Ref # 92002A)	92002-1995	2
PIN,8X36.5 (Ref # 92043)	92043-1339	2
PIN,6X28 (Ref # 92043A)	92043-1464	2
BOLT,SOCKET,8X20 (Ref # 92153)	92153-1621	2
WASHER,FR STEP (Ref # 92200)	92200-0560	2
WASHER,RR STEP (Ref # 92200A)	92200-0561	2
WASHER,6.5X13X2.0 (Ref # 92200B)	92200-0562	2