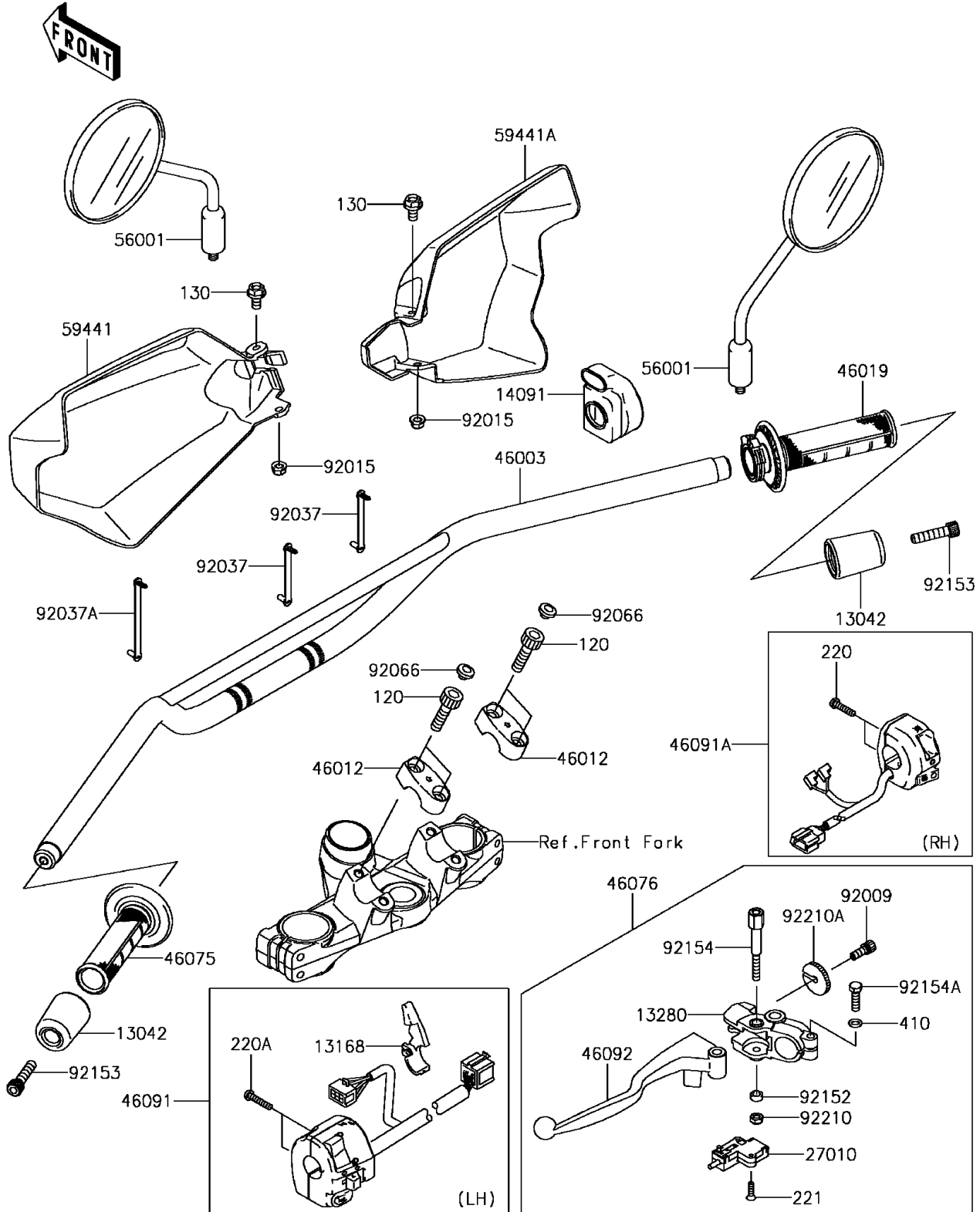


2015 KLR™ 650 PARTS DIAGRAM

Handlebar

F2310



2015 KLR™ 650 PARTS LIST

Handlebar

ITEM NAME	PART NUMBER	QUANTITY
-----------	-------------	----------