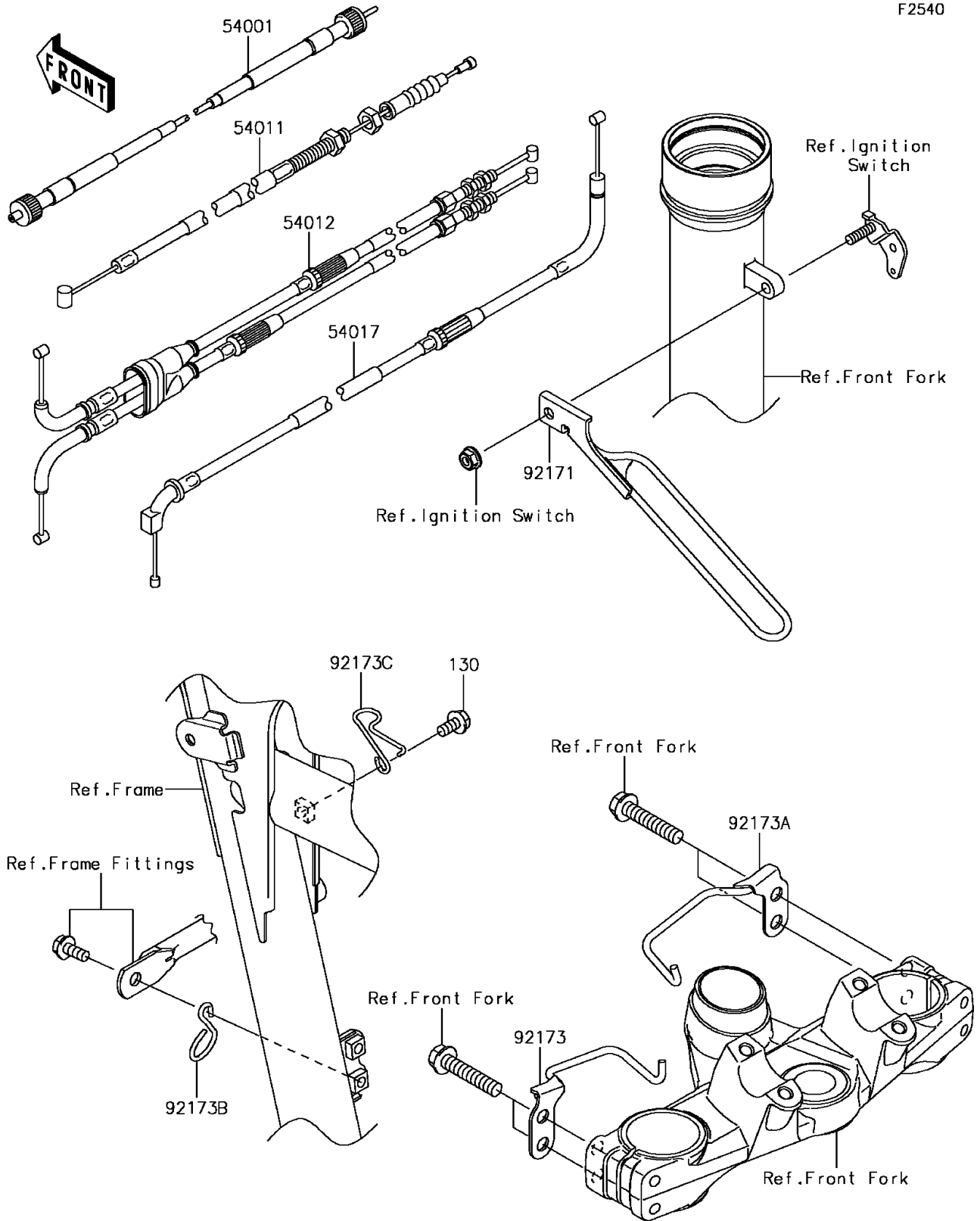


# 2015 KLR™ 650 PARTS DIAGRAM

## Cables

F2540



# 2015 KLR™ 650 PARTS LIST

Cables

ITEM NAME	PART NUMBER	QUANTITY
-----------	-------------	----------