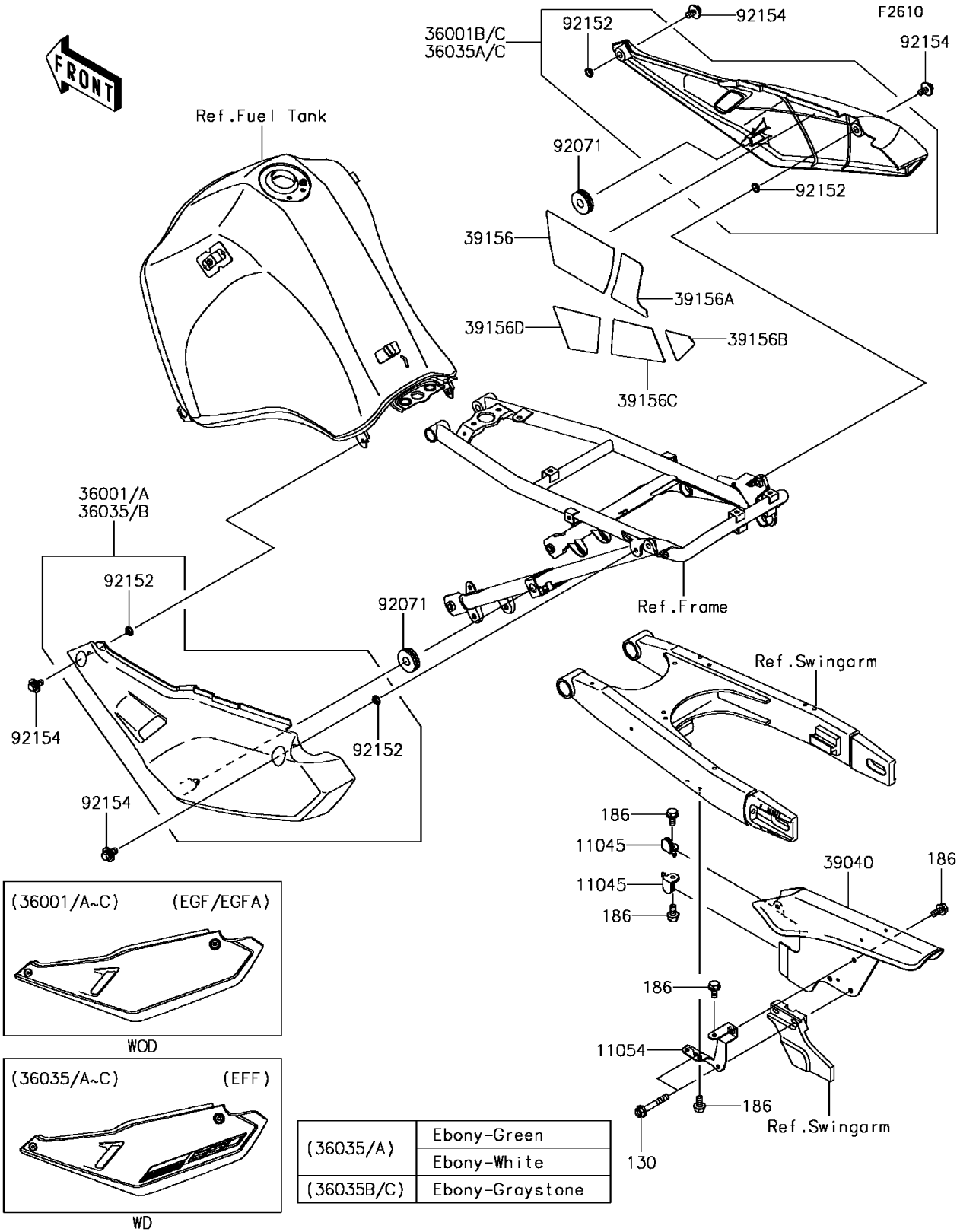


2015 KLR™ 650 PARTS DIAGRAM

Side Covers/Chain Cover



2015 KLR™ 650 PARTS LIST

Side Covers/Chain Cover

| ITEM NAME | PART NUMBER | QUANTITY |
|-----------|-------------|----------|
|-----------|-------------|----------|