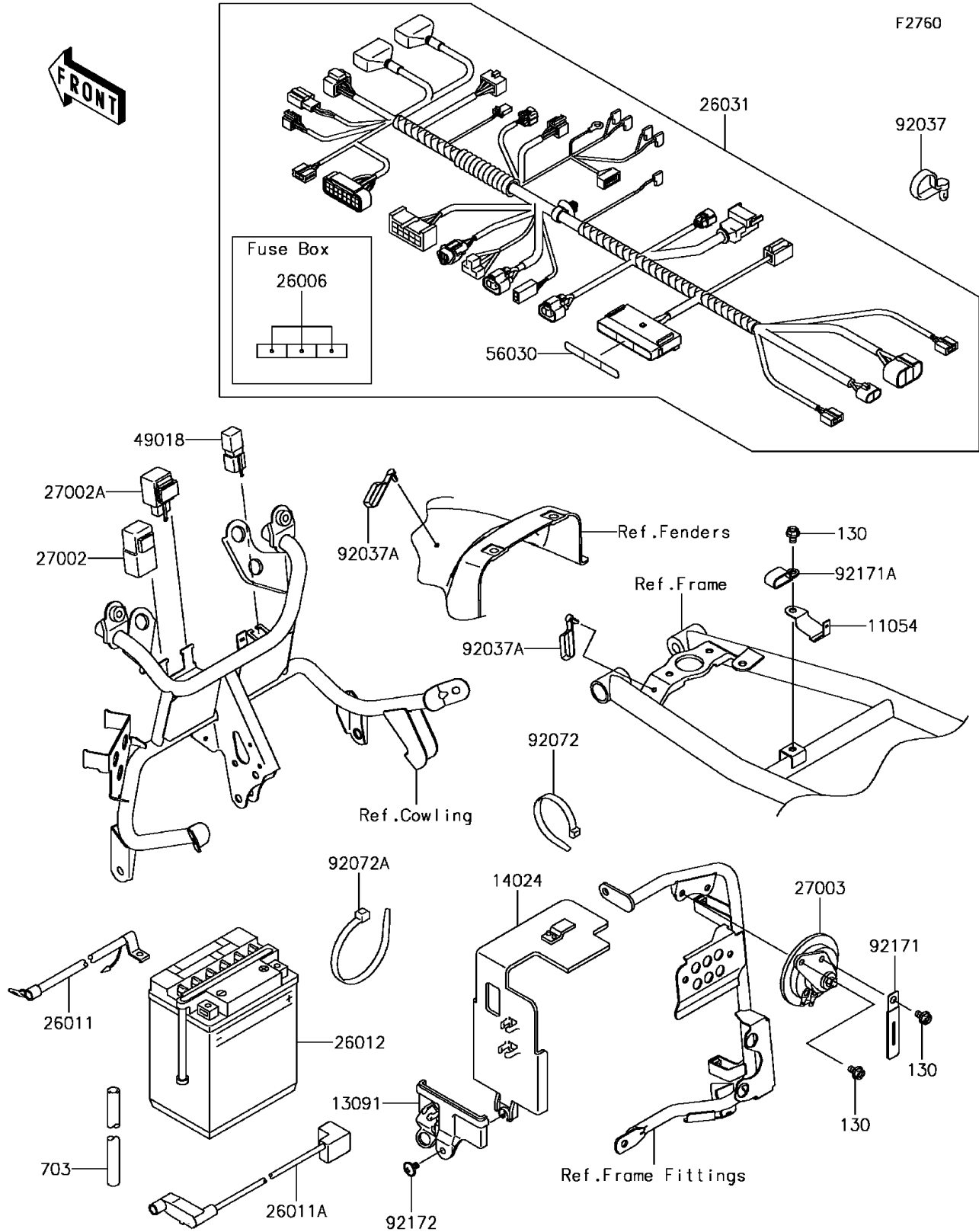


2015 KLR™ 650 PARTS DIAGRAM

Chassis Electrical Equipment



2015 KLR™ 650 PARTS LIST

Chassis Electrical Equipment

ITEM NAME	PART NUMBER	QUANTITY
-----------	-------------	----------