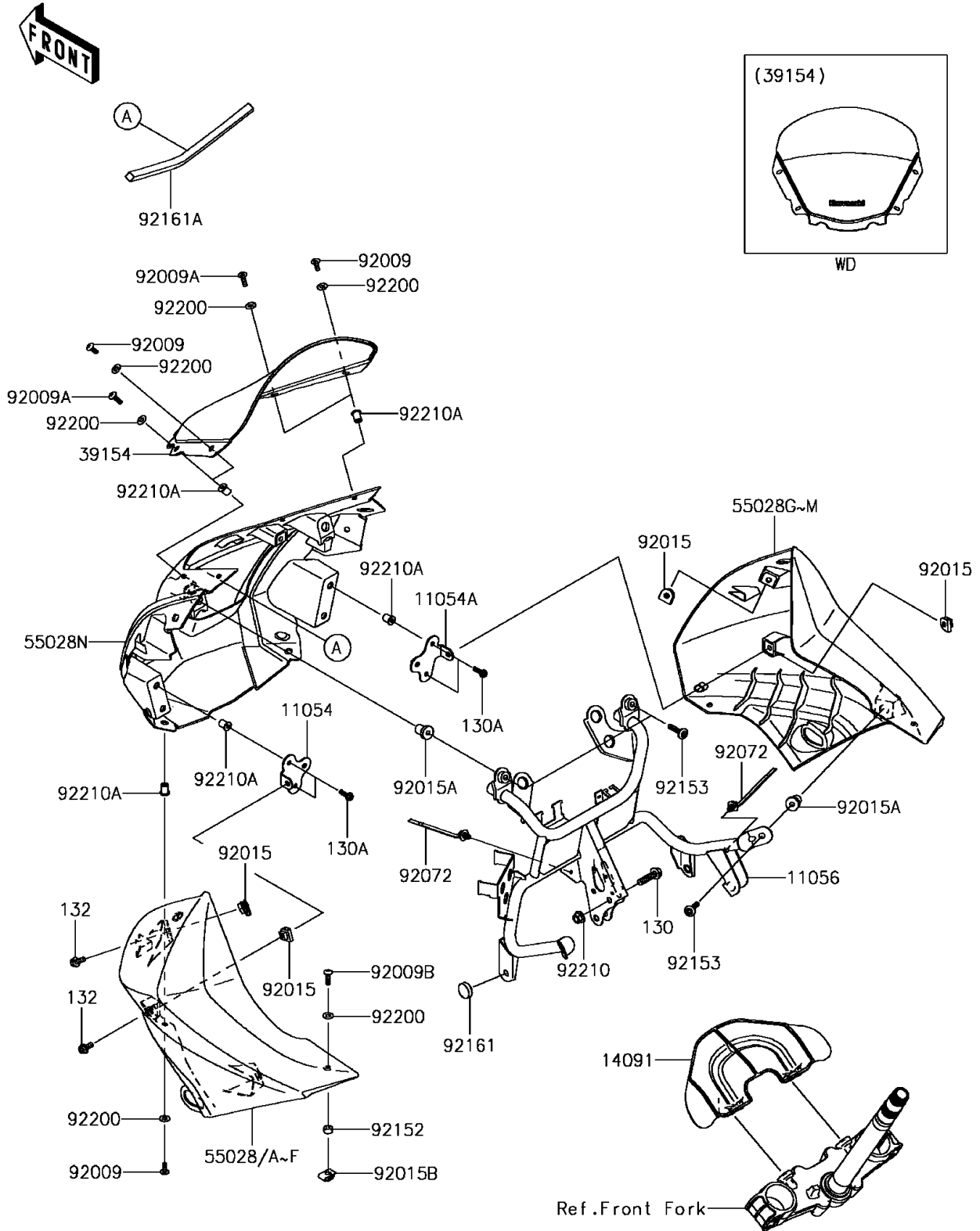


# 2015 KLR650 PARTS DIAGRAM

Cowling

F2871



## 2015 KLR650 PARTS LIST

### Cowling

ITEM NAME	PART NUMBER	QUANTITY
BOLT-FLANGED,8X30 (Ref # 130)	130BA0830	2
BOLT-FLANGED,5X16 (Ref # 130A)	130BB0516	4
BOLT-FLANGED-SMALL,6X14 (Ref # 132)	132BB0614	4
BRACKET,UPP COWLING,LH (Ref # 11054)	11054-0457	1
BRACKET,UPP COWLING,RH (Ref # 11054A)	11054-0458	1
BRACKET,UPP COWLING (Ref # 11056)	11056-0188	1
COVER,SOUNDPROOF (Ref # 14091)	14091-0658	1
WINDSHIELD (Ref # 39154)	39154-5036	1
COWLING,UPP,LH,P.S.WHITE (Ref # 55028)	55028-0111-25Y	1
COWLING,UPP,LH,M.F.R.GRAYSTONE (Ref # 55028A)	55028-0111-35B	1
COWLING,UPP,LH,C.L.GREEN (Ref # 55028D)	55028-0111-51P	1
COWLING,UPP,RH,P.S.WHITE (Ref # 55028G)	55028-0112-25Y	1
COWLING,UPP,RH,M.F.R.GRAYSTONE (Ref # 55028H)	55028-0112-35B	1
COWLING,UPP,RH,C.L.GREEN (Ref # 55028K)	55028-0112-51P	1
COWLING,UPP,CNT,F.BLACK (Ref # 55028N)	55028-0201-21	1
SCREW,5X14 (Ref # 92009)	92009-1653	4
SCREW,5X18 (Ref # 92009A)	92009-1655	2
SCREW,5X20,BLACK (Ref # 92009B)	92009-1656	2
NUT,6MM (Ref # 92015)	92015-1602	4
NUT,RUBBER,6MM (Ref # 92015A)	92015-1692	4
NUT,5MM (Ref # 92015B)	92015-1710	2
BAND (Ref # 92072)	92072-1414	2
COLLAR,5.6X12X5.7 (Ref # 92152)	92152-0618	2
BOLT,SOCKET,6X30 (Ref # 92153)	92153-1528	4
DAMPER (Ref # 92161)	92161-0336	2
DAMPER,UPP COWLING (Ref # 92161A)	92161-0536	1
WASHER,NYLON,5.3X11.5X0.5 (Ref # 92200)	92200-1480	8
NUT,FLANGED,8MM (Ref # 92210)	92210-0304	2
NUT,WELL,5MM (Ref # 92210A)	92210-0498	10