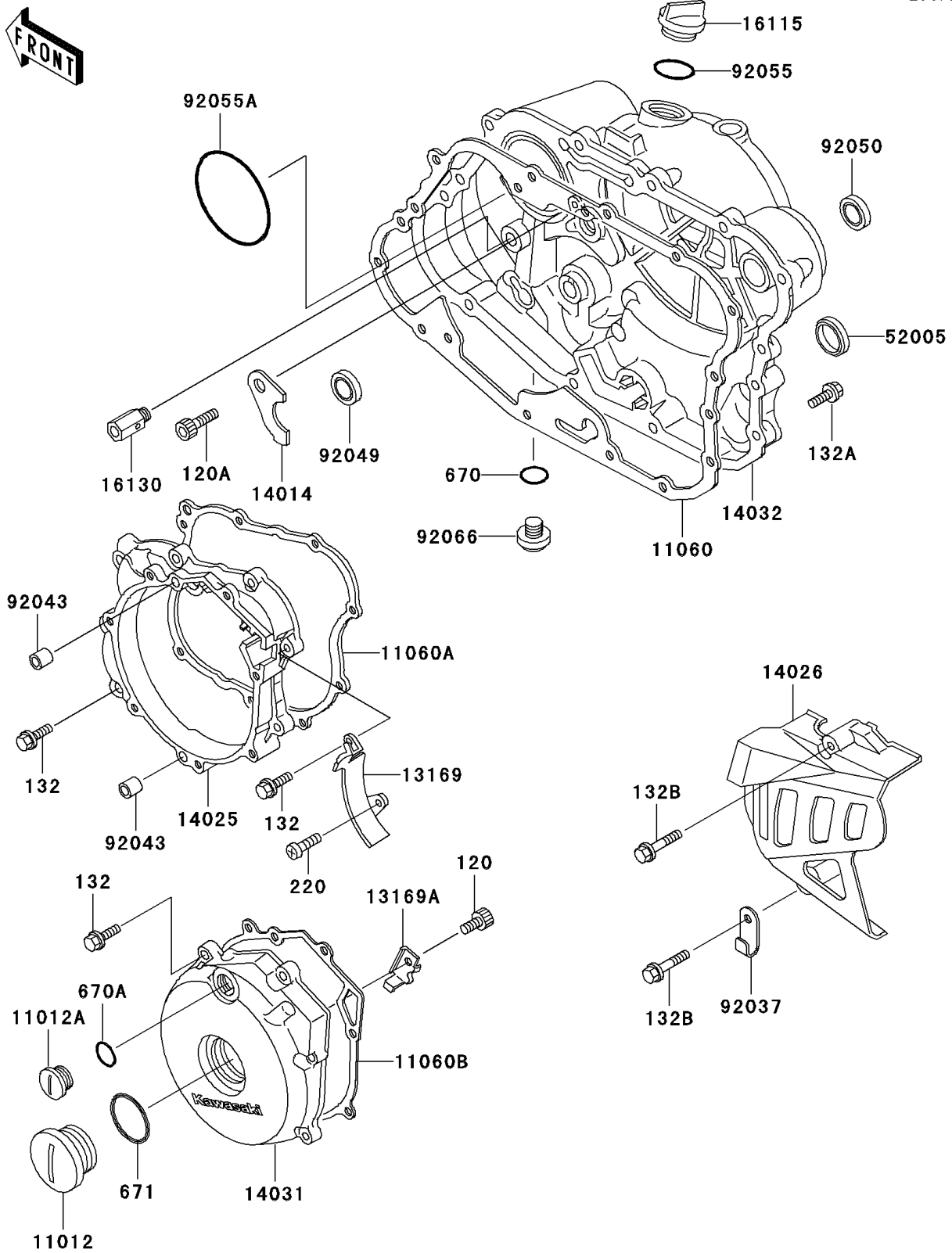


1998 KLR250 PARTS DIAGRAM

Engine Cover(s)

E1431



1998 KLR250 PARTS LIST

Engine Cover(s)

| ITEM NAME | PART NUMBER | QUANTITY |
|---|-------------|----------|
| BOLT-SOCKET (Ref # 120) | 120P0608 | 1 |
| BOLT-SOCKET,6X10 (Ref # 120A) | 120P0610 | 1 |
| BOLT-FLANGED-SMALL (Ref # 132) | 132J0625 | 16 |
| BOLT-FLANGED-SMALL (Ref # 132A) | 132J0630 | 13 |
| BOLT-FLANGED-SMALL (Ref # 132B) | 132J0645 | 2 |
| SCREW-PAN-CROS,6X8 (Ref # 220) | 220B0608 | 1 |
| O RING,11MM (Ref # 670) | 670B2011 | 1 |
| O RING,18MM (Ref # 670A) | 670B2018 | 1 |
| O RING,40MM (Ref # 671) | 671B2540 | 1 |
| CAP (Ref # 11012) | 11012-1362 | 1 |
| CAP, TOP MARK (Ref # 11012A) | 11012-1363 | 1 |
| GASKET, CLUTCH COVER (Ref # 11060) | 11060-1127 | 1 |
| GASKET, GENERATOR CASE COVER (Ref # 11060A) | 11060-1128 | 1 |
| GASKET, GENERATOR COVER (Ref # 11060B) | 11060-1129 | 1 |
| PLATE (Ref # 13169) | 13169-1879 | 1 |
| PLATE, GENERATOR LEAD (Ref # 13169A) | 13169-1880 | 1 |
| PLATE-POSITION (Ref # 14014) | 14014-1062 | 1 |
| COVER, GENERATOR CASE (Ref # 14025) | 14025-1911 | 1 |
| COVER-CHAIN (Ref # 14026) | 14026-1112 | 1 |
| COVER-GENERATOR (Ref # 14031) | 14031-1238 | 1 |
| COVER-CLUTCH (Ref # 14032) | 14032-1277 | 1 |
| CAP-OIL FILLER (Ref # 16115) | 16115-1009 | 1 |
| VALVE-ASSY-RELIEF (Ref # 16130) | 16130-1001 | 1 |
| GAUGE, OIL LEVEL (Ref # 52005) | 52005-1009 | 1 |
| CLAMP, WIRING HARNESS, L=60 (Ref # 92037) | 92037-1069 | 1 |
| PIN, 6.2X8X14 (Ref # 92043) | 92043-1263 | 2 |
| SEAL-OIL (Ref # 92049) | 92049-1191 | 1 |
| SEAL-OIL (Ref # 92050) | 92050-078 | 1 |
| RING-O, 31.7X2.4 (Ref # 92055) | 92055-049 | 1 |

1998 KLR250 PARTS LIST

Engine Cover(s)

| ITEM NAME | PART NUMBER | QUANTITY |
|-----------------------------------|-------------|----------|
| RING-O,62.6X66X3.1 (Ref # 92055A) | 92055-1221 | 1 |
| PLUG,DRAIN (Ref # 92066) | 92066-1156 | 1 |