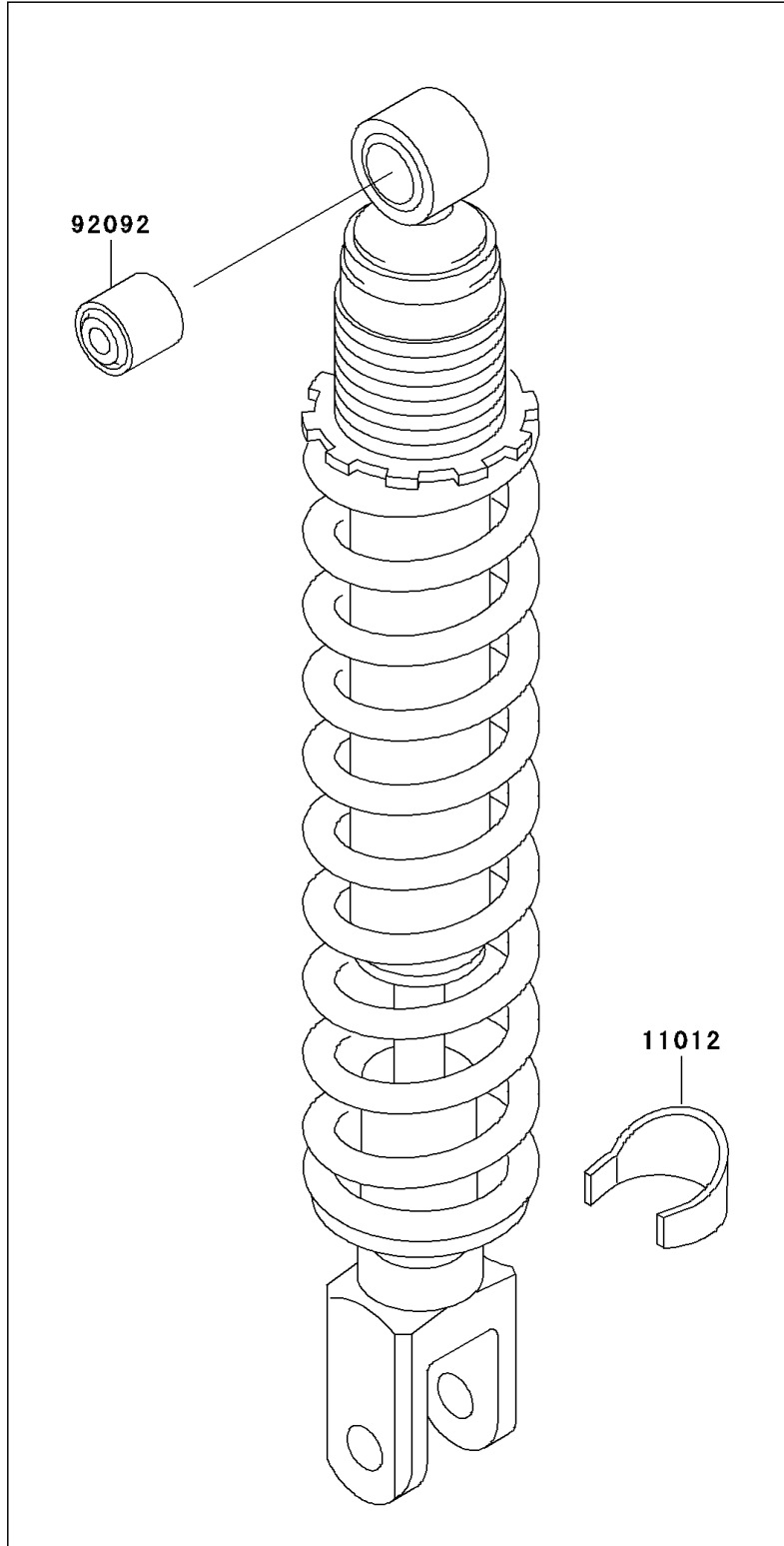


# 2000 KLR250 PARTS DIAGRAM

Shock Absorber(s)

F2280



## 2000 KLR250 PARTS LIST

### Shock Absorber(s)

ITEM NAME	PART NUMBER	QUANTITY
CAP,SHOCKABSORBER (Ref # 11012)	11012-1398	1
SHOCKABSORBER,RR (Ref # 45014)	45014-1565	1
BUSHING-RUBBER,SHOCKABSORBER (Ref # 92092)	92092-1008	1