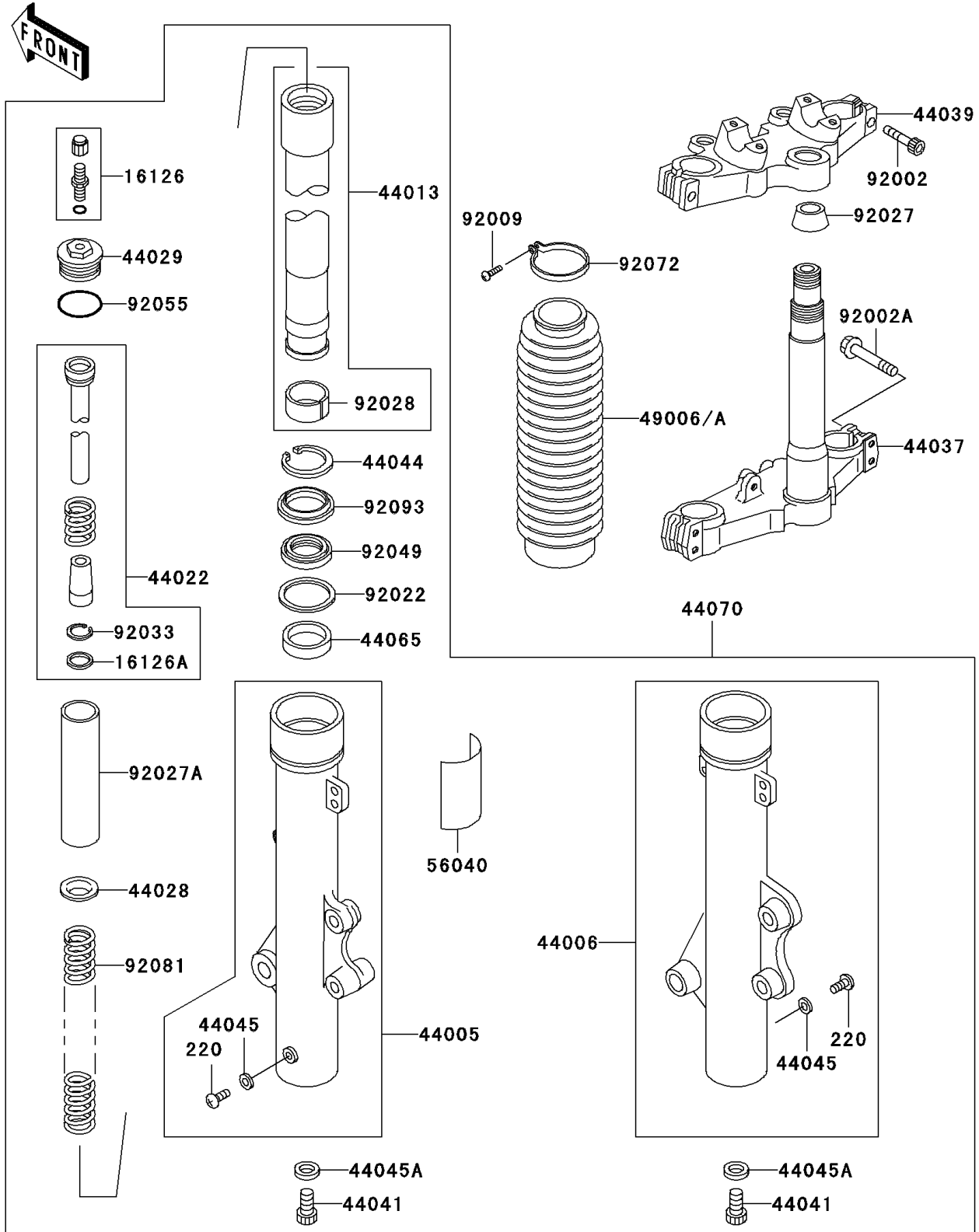


# 1998 KLR250 PARTS DIAGRAM

Front Fork

F2340



# 1998 KLR250 PARTS LIST

## Front Fork

ITEM NAME	PART NUMBER	QUANTITY
SCREW-PAN-CROS,4X6 (Ref # 220)	220B0406	2
VALVE,AIR (Ref # 16126)	16126-1052	2
VALVE,FORK CYLINDER (Ref # 16126A)	16126-1123	2
PIPE-LEFT FORK OUTER (Ref # 44005)	44005-1334	1
PIPE-RIGHT FORK OUTER (Ref # 44006)	44006-1332	1
PIPE-FORK INNER (Ref # 44013)	44013-1224	2
CYLINDER-FORK (Ref # 44022)	44022-1175	2
GUIDE-FORK SPRING (Ref # 44028)	44028-1004	2
SEAT-FORK SPRING (Ref # 44029)	44029-1119	2
HOLDER-FORK UNDER (Ref # 44037)	44037-1178	1
HOLDER-FORK UPPER (Ref # 44039)	44039-1121	1
BOLT,SOCKET,FORK CYLINDER (Ref # 44041)	44041-040	2
RING-SNAP (Ref # 44044)	44044-015	2
GASKET,FORK DRAIN PLUG (Ref # 44045)	44045-002	2
GASKET (Ref # 44045A)	44045-057	2
BUSHING-FRONT FORK (Ref # 44065)	44065-1016	2
DAMPER-ASSY,FORK (Ref # 44070)	44070-5140	1
BOOT,FORK,S.GRAY (Ref # 49006)	49006-1009-SR	2
LABEL-WARNING,FRONT FORK (Ref # 56040)	56040-1120	1
BOLT,SOCKET,8X32 (Ref # 92002)	92002-1277	2
BOLT,FLANGED,8X40 (Ref # 92002A)	92002-1476	4
SCREW,4X16 (Ref # 92009)	92009-1348	2
WASHER,FRONT FORK (Ref # 92022)	92022-1275	2
COLLAR,UPPER BRACKET (Ref # 92027)	92027-1791	1
COLLAR,L=165 (Ref # 92027A)	92027-1872	2
BUSHING,INNER PIPE (Ref # 92028)	92028-1354	2
RING-SNAP,FORK CYLINDER (Ref # 92033)	92033-1004	2
SEAL-OIL,FORK OUTER PIPE (Ref # 92049)	92049-1216	2
RING-O,FORK TOP CAP (Ref # 92055)	92055-1051	2

# 1998 KLR250 PARTS LIST

## Front Fork

ITEM NAME	PART NUMBER	QUANTITY
BAND,BOOT (Ref # 92072)	92072-1008	2
SPRING,FRONT FORK (Ref # 92081)	92081-1825	2
SEAL,FORK OUTER PIPE (Ref # 92093)	92093-1181	2