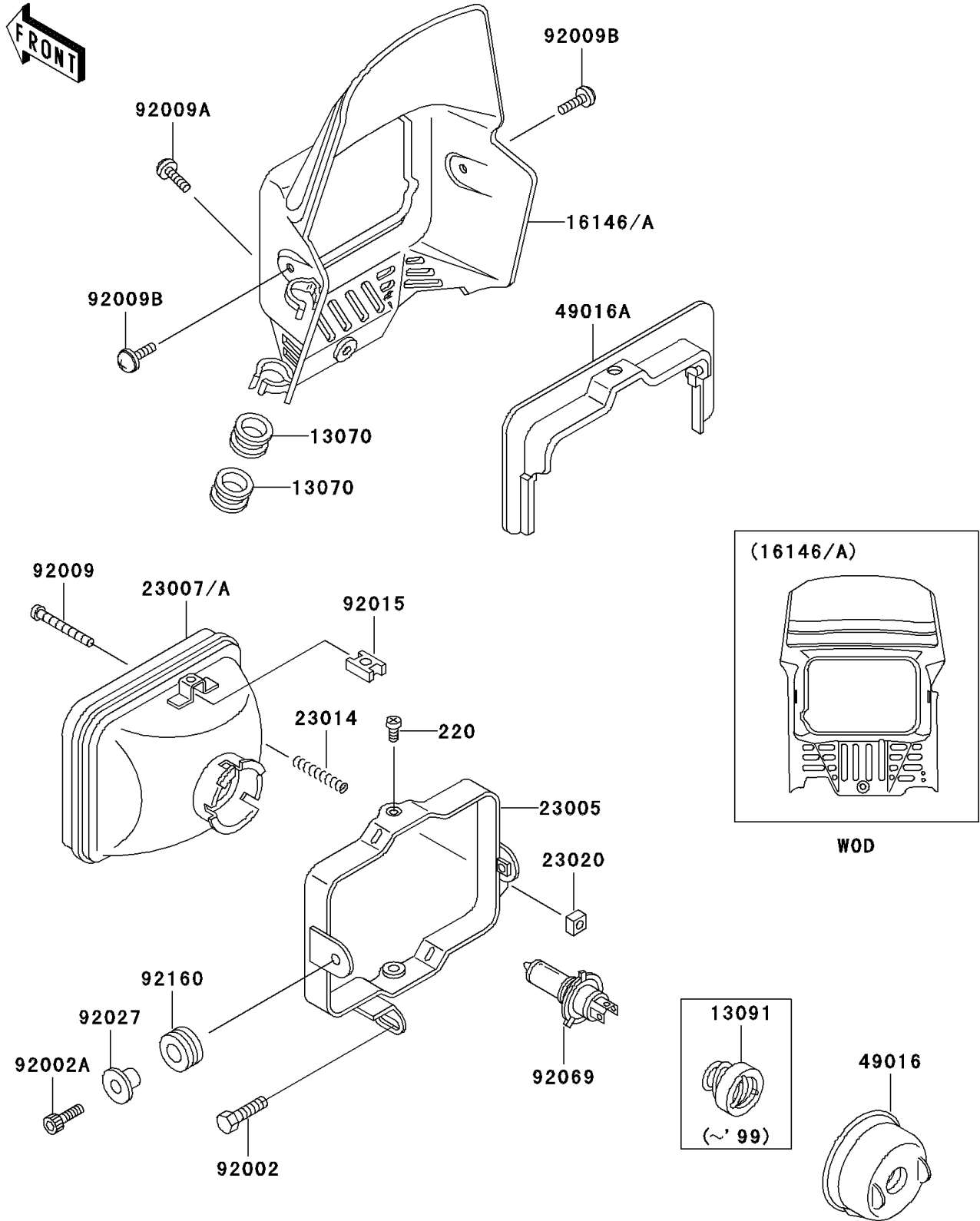


2000 KLR250 PARTS DIAGRAM

Headlight(s)

F2710



2000 KLR250 PARTS LIST

Headlight(s)

ITEM NAME	PART NUMBER	QUANTITY
-----------	-------------	----------