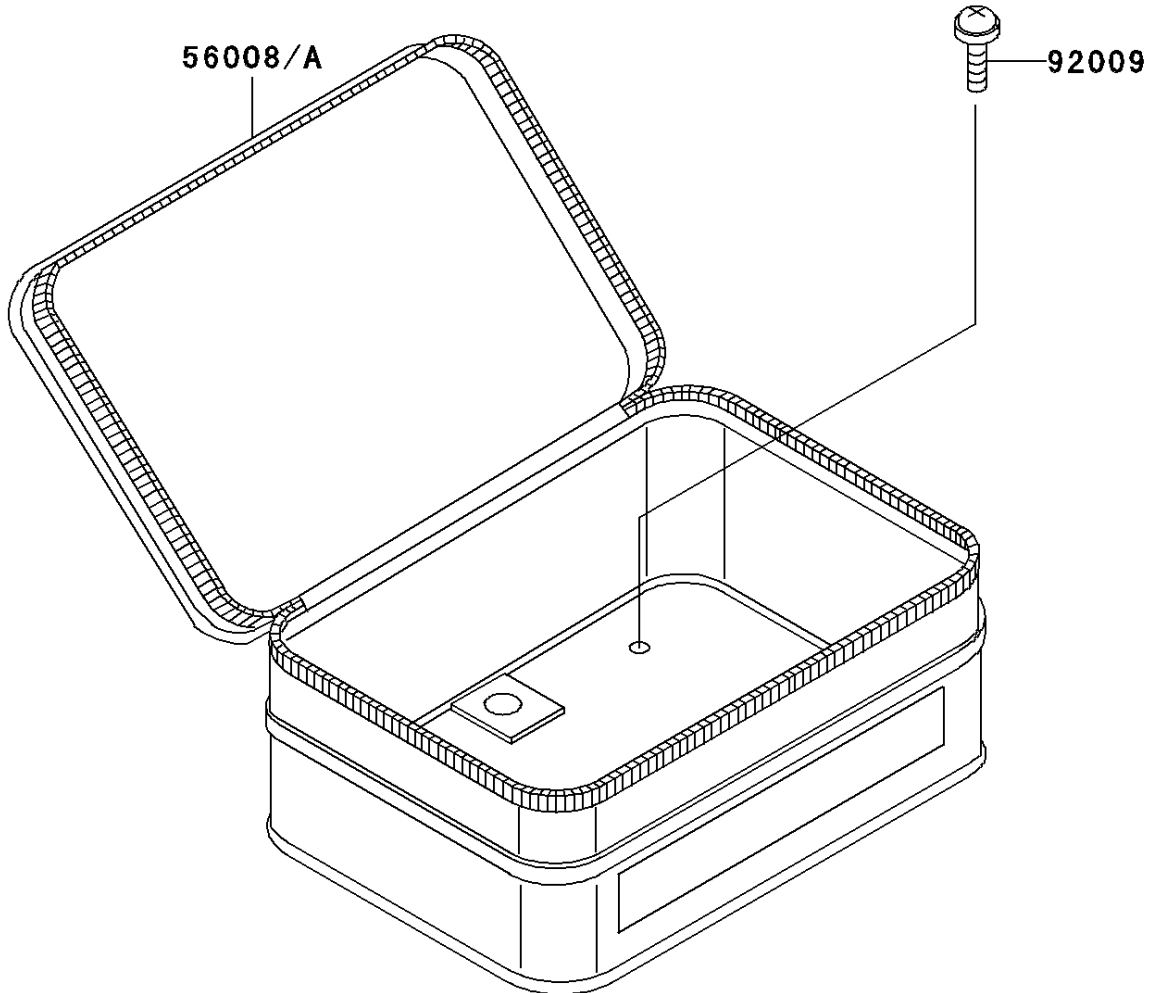


# 1999 KLR250 PARTS DIAGRAM

Accessory

F2910



# 1999 KLR250 PARTS LIST

## Accessory

ITEM NAME	PART NUMBER	QUANTITY
BAG,TOOL,S.GRAY (Ref # 56008A)	56008-1054-LJ	1
SCREW,6X22,BLACK (Ref # 92009)	92009-1256	4