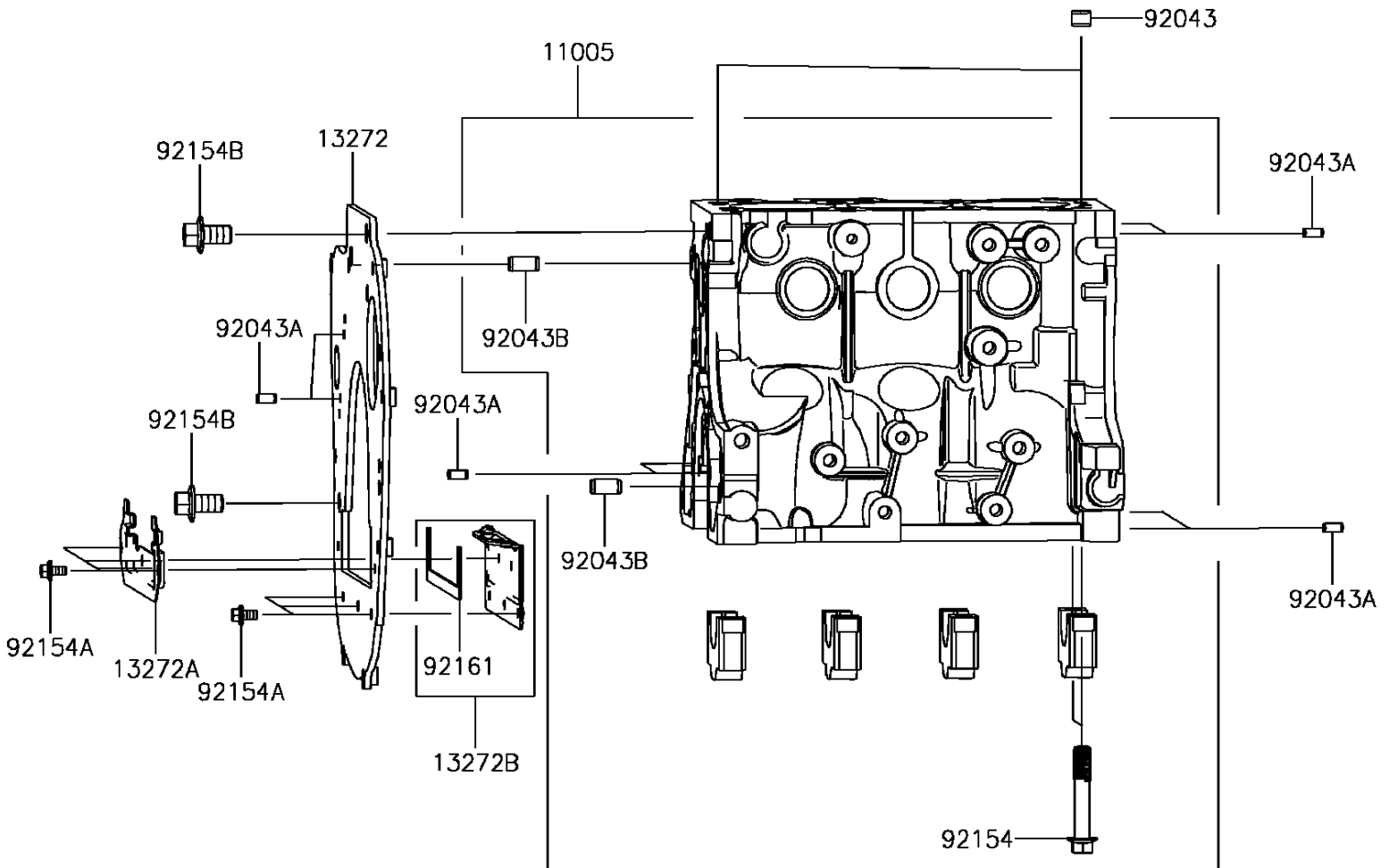


# 2017 MULE PRO-FXT™ EPS PARTS DIAGRAM

Crankcase

E1411



# 2017 MULE PRO-FXT™ EPS PARTS LIST

Crankcase

ITEM NAME	PART NUMBER	QUANTITY
-----------	-------------	----------