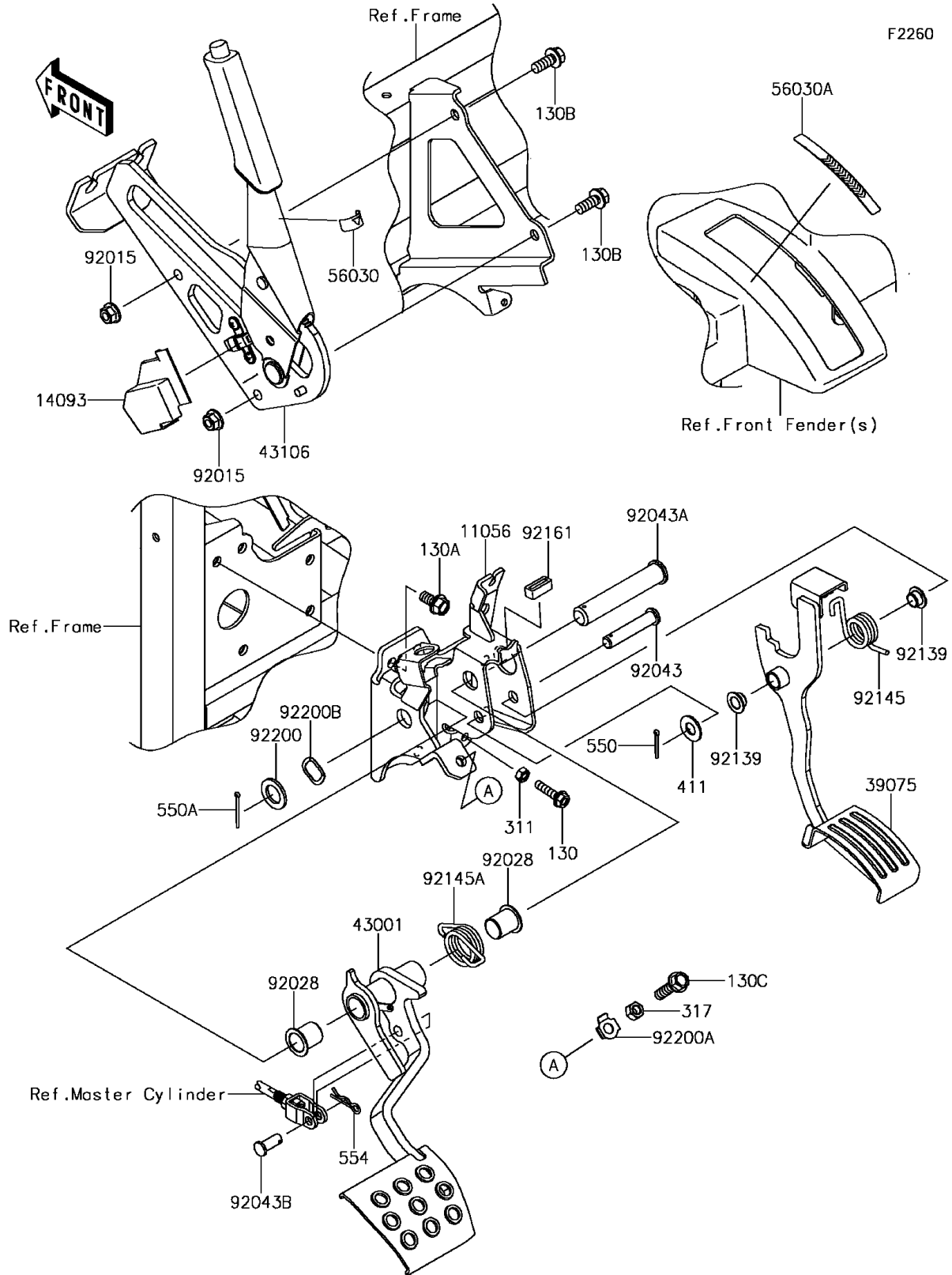


# 2017 MULE PRO-FXT™ EPS CAMO PARTS DIAGRAM

## Brake Pedal/Throttle Lever



# 2017 MULE PRO-FXT™ EPS CAMO PARTS LIST

Brake Pedal/Throttle Lever

ITEM NAME	PART NUMBER	QUANTITY
-----------	-------------	----------