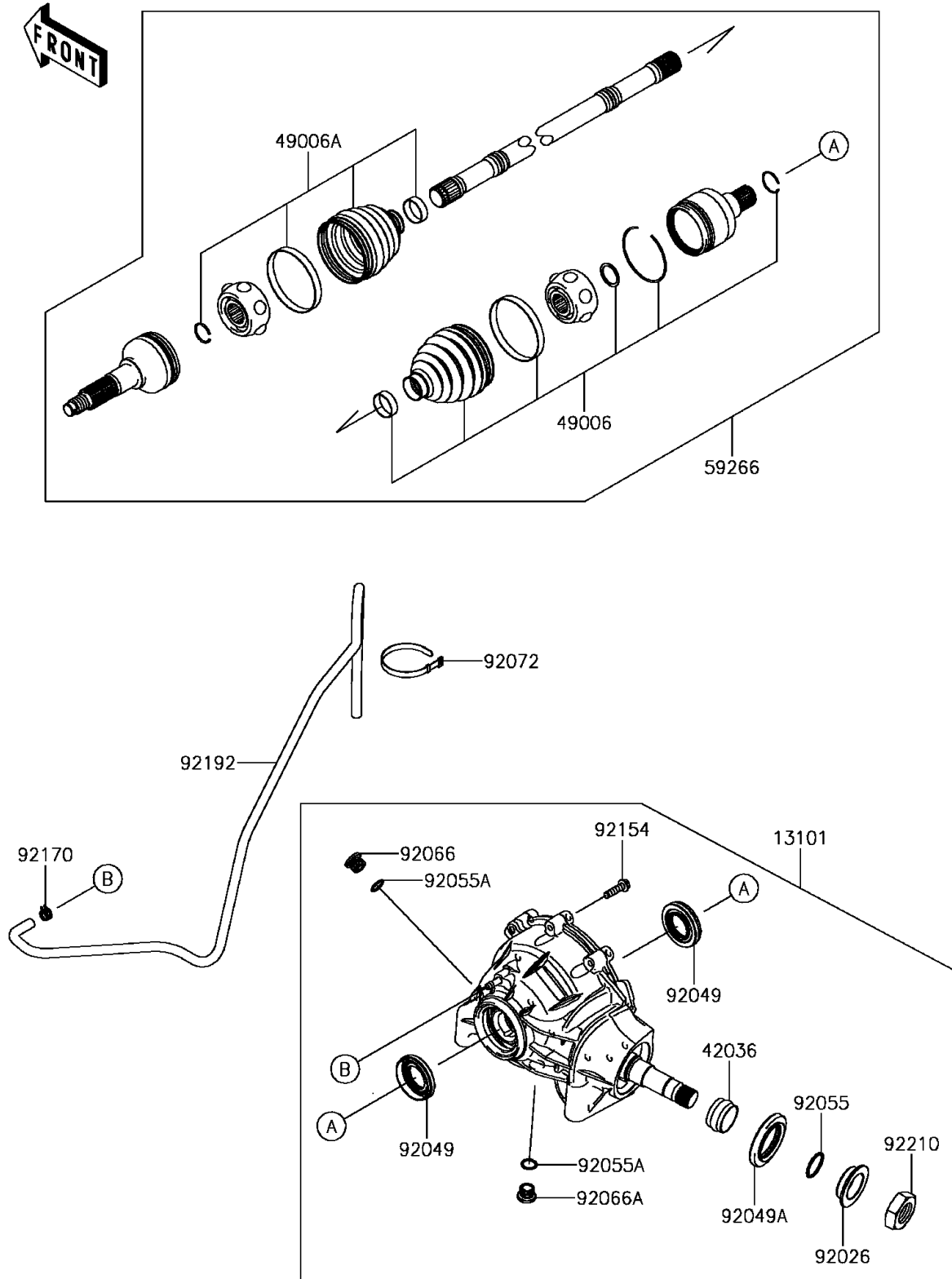


# 2017 MULE PRO-FXT™ RANCH EDITION PARTS DIAGRAM

Drive Shaft-Front

E3136



# 2017 MULE PRO-FXT™ RANCH EDITION PARTS LIST

Drive Shaft-Front

ITEM NAME	PART NUMBER	QUANTITY
-----------	-------------	----------