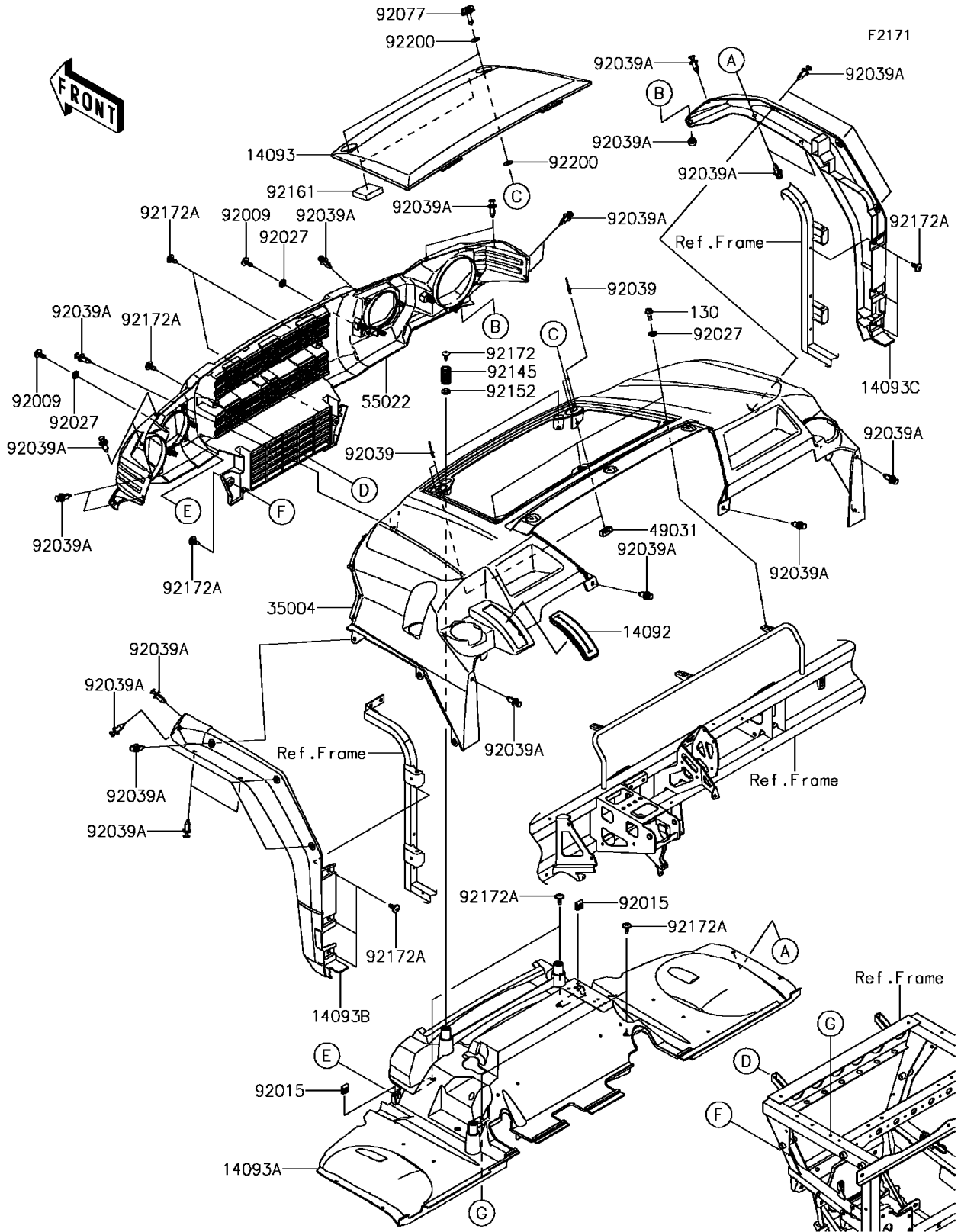


2017 MULE PRO-FXT™ RANCH EDITION PARTS DIAGRAM

Front Fender(s)



2017 MULE PRO-FXT™ RANCH EDITION PARTS LIST

Front Fender(s)

ITEM NAME	PART NUMBER	QUANTITY
-----------	-------------	----------