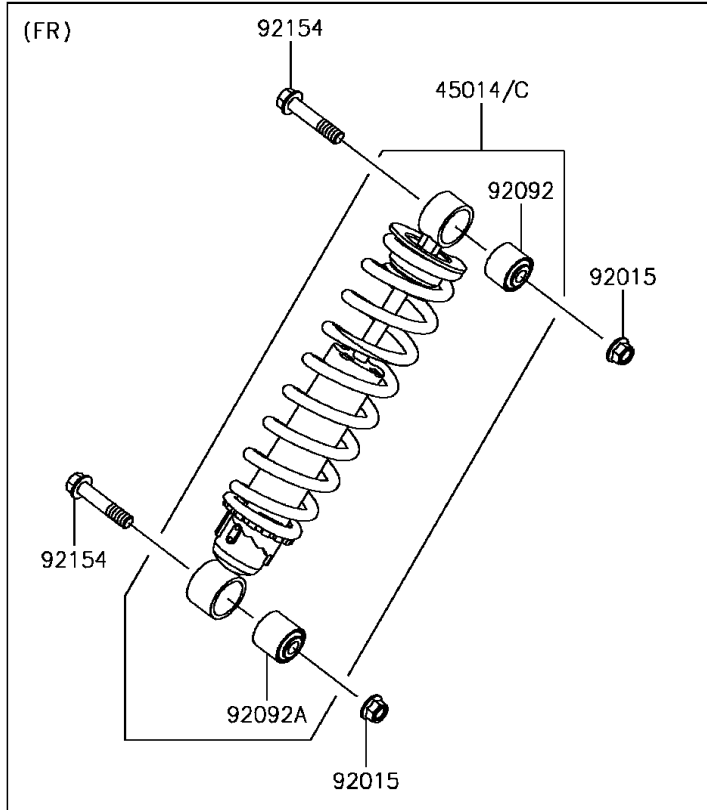
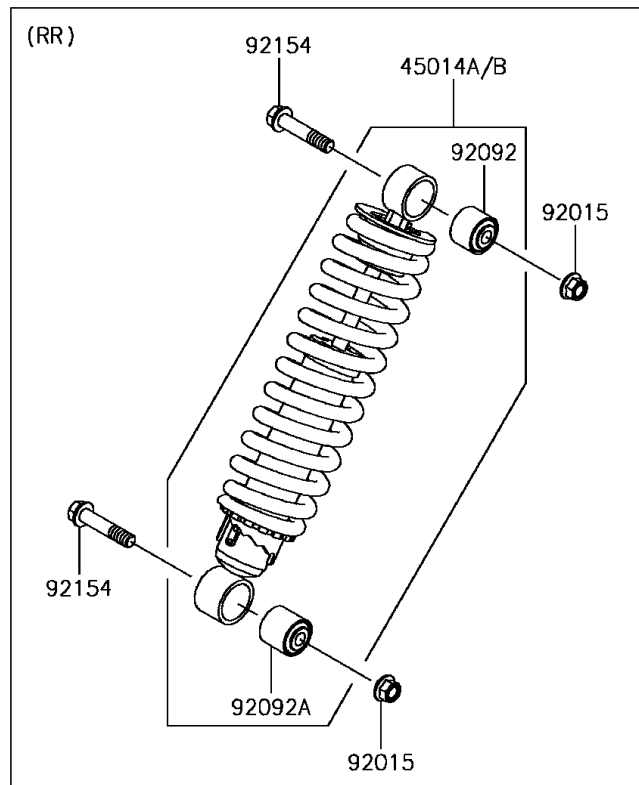


2017 MULE PRO-FXT™ RANCH EDITION PARTS DIAGRAM

Shock Absorber(s)



F2280



2017 MULE PRO-FXT™ RANCH EDITION PARTS LIST

Shock Absorber(s)

ITEM NAME	PART NUMBER	QUANTITY
-----------	-------------	----------