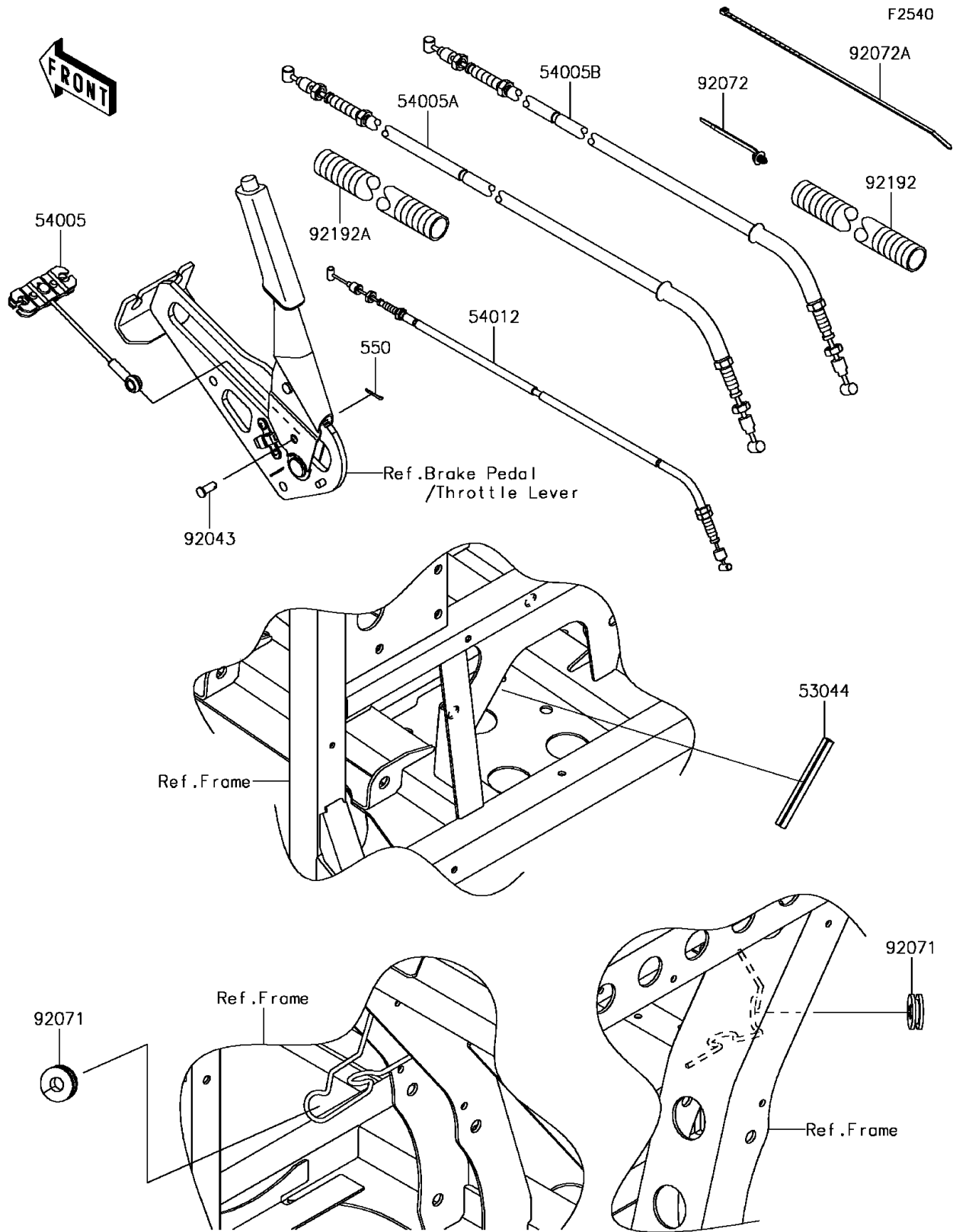


# 2017 MULE PRO-FXT™ RANCH EDITION PARTS DIAGRAM

## Cables



# 2017 MULE PRO-FXT™ RANCH EDITION PARTS LIST

## Cables

ITEM NAME	PART NUMBER	QUANTITY
-----------	-------------	----------