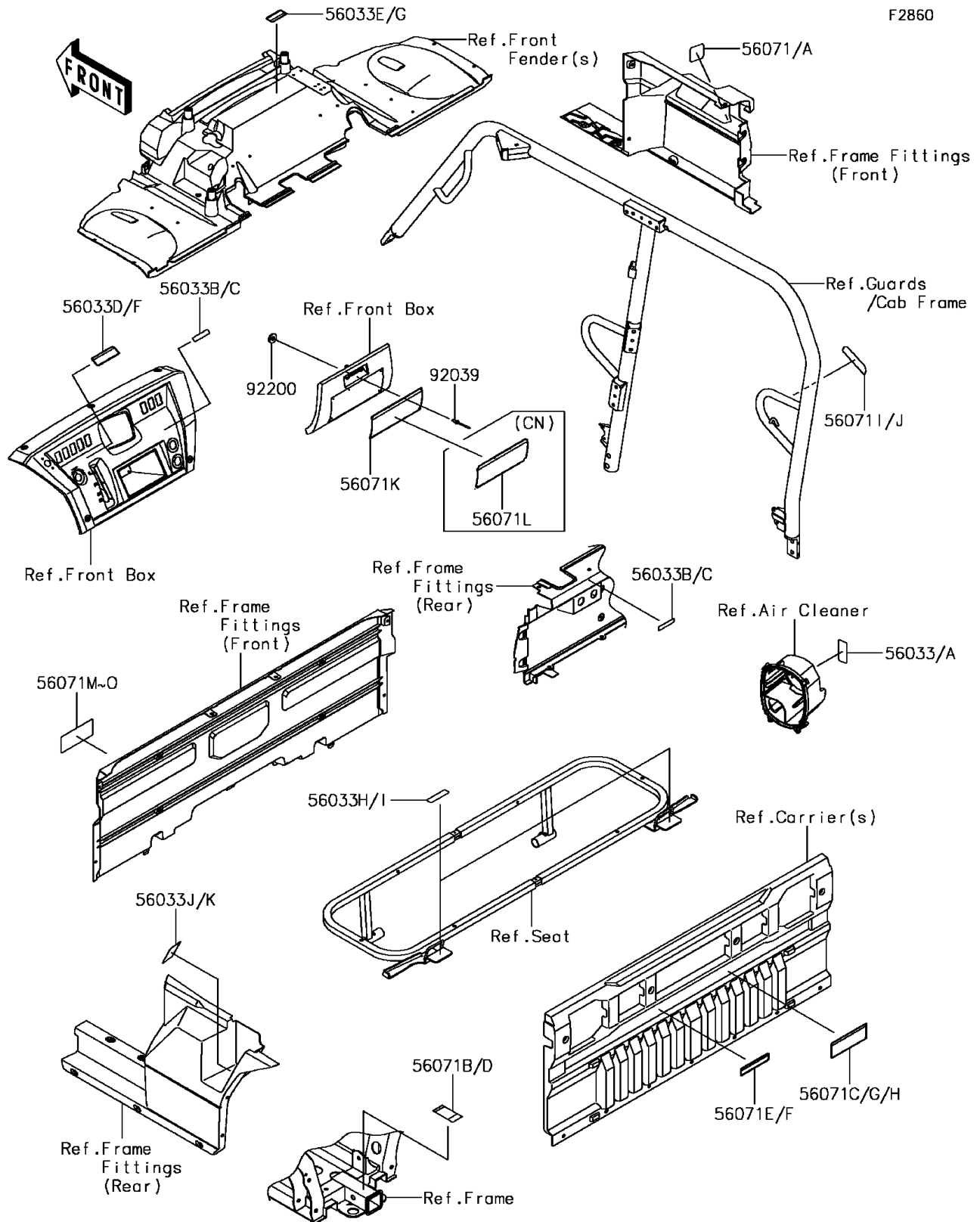


2017 MULE PRO-FXT™ RANCH EDITION PARTS DIAGRAM

Labels



2017 MULE PRO-FXT™ RANCH EDITION PARTS LIST

Labels

ITEM NAME	PART NUMBER	QUANTITY
-----------	-------------	----------