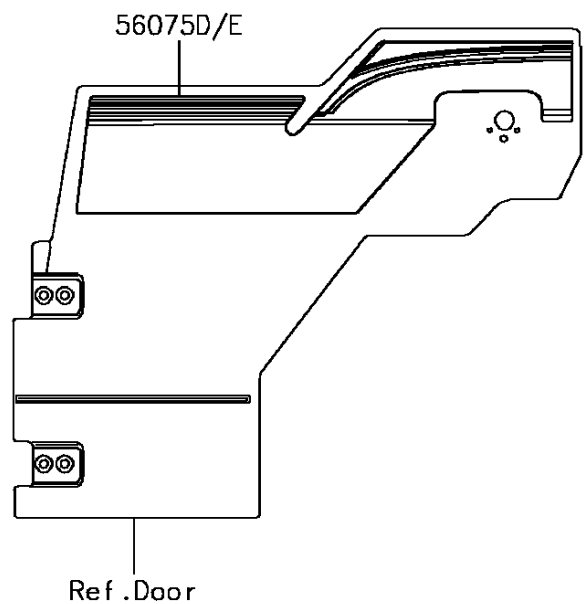
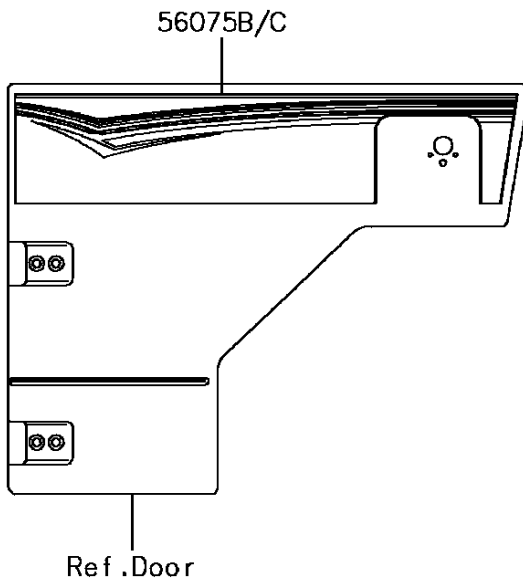
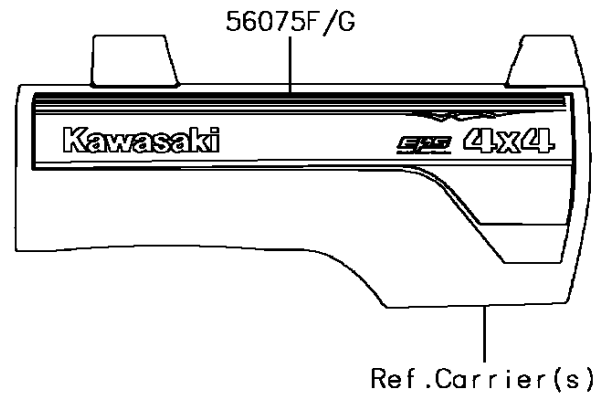
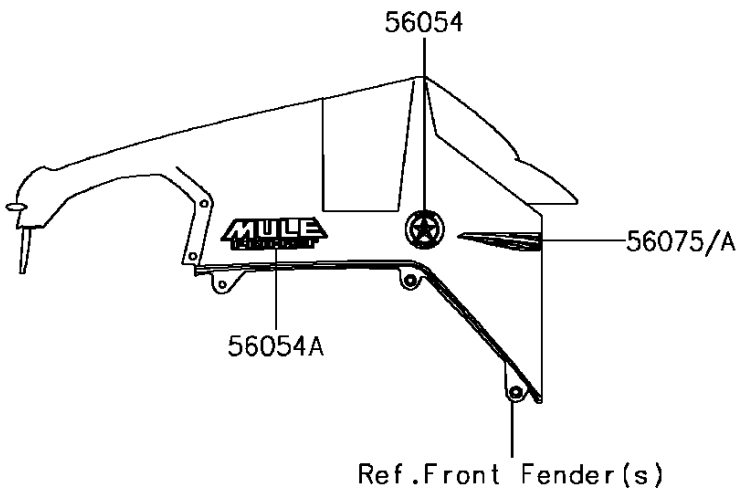


2017 MULE PRO-FXT™ RANCH EDITION PARTS DIAGRAM

Decals

F2861



2017 MULE PRO-FXT™ RANCH EDITION PARTS LIST

Decals

ITEM NAME	PART NUMBER	QUANTITY
-----------	-------------	----------