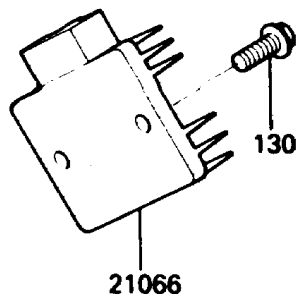
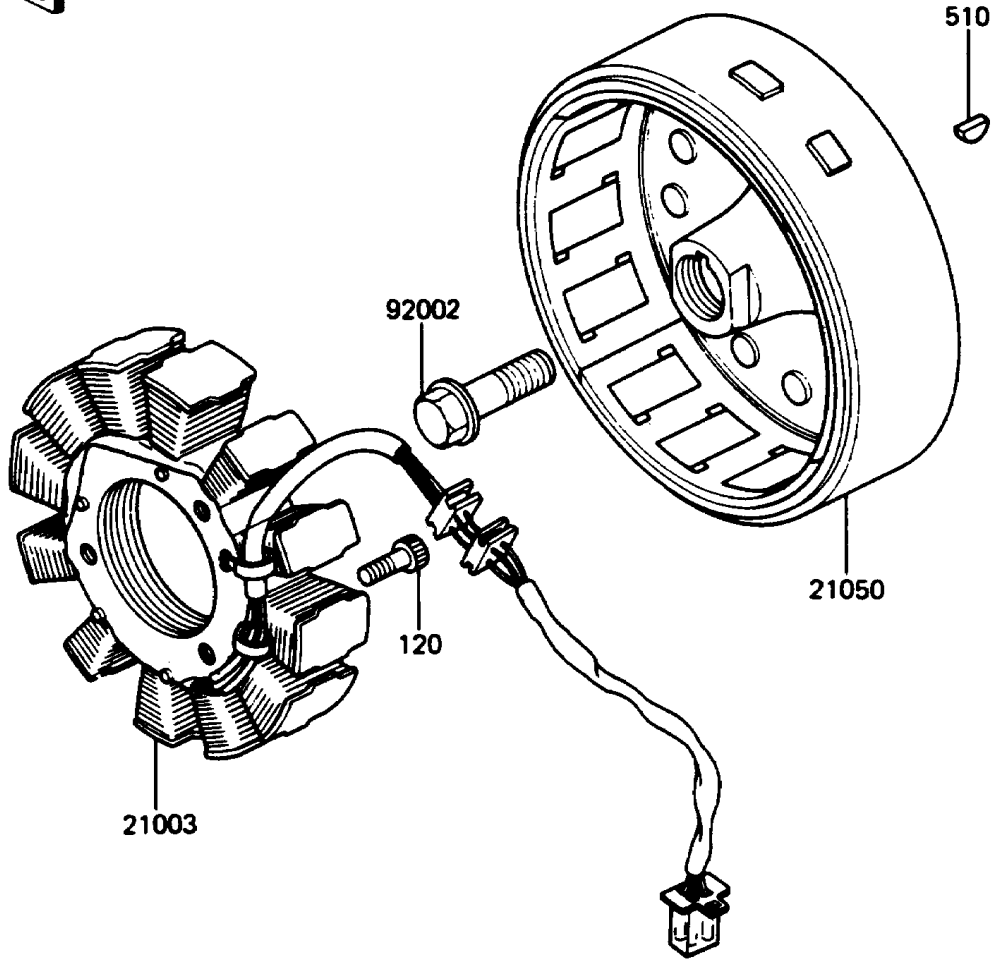


# 1987 KLR250 PARTS DIAGRAM

Generator

E1810-0122



# 1987 KLR250 PARTS LIST

## Generator

| ITEM NAME                        | PART NUMBER | QUANTITY |
|----------------------------------|-------------|----------|
| STATOR (Ref # 21003)             | 21003-1121  | 1        |
| FLYWHEEL (Ref # 21050)           | 21050-1109  | 1        |
| REGULATOR-VOLTAGE (Ref # 21066)  | 21066-1052  | 1        |
| BOLT,FLANGED,12X40 (Ref # 92002) | 92002-1693  | 1        |
| BOLT-SOCKET,6X30 (Ref # 120)     | 120P0630    | 3        |
| BOLT-FLANGED,6X16 (Ref # 130)    | 130G0616    | 1        |
| KEY-WOODRUFF (Ref # 510)         | 510A3300    | 1        |