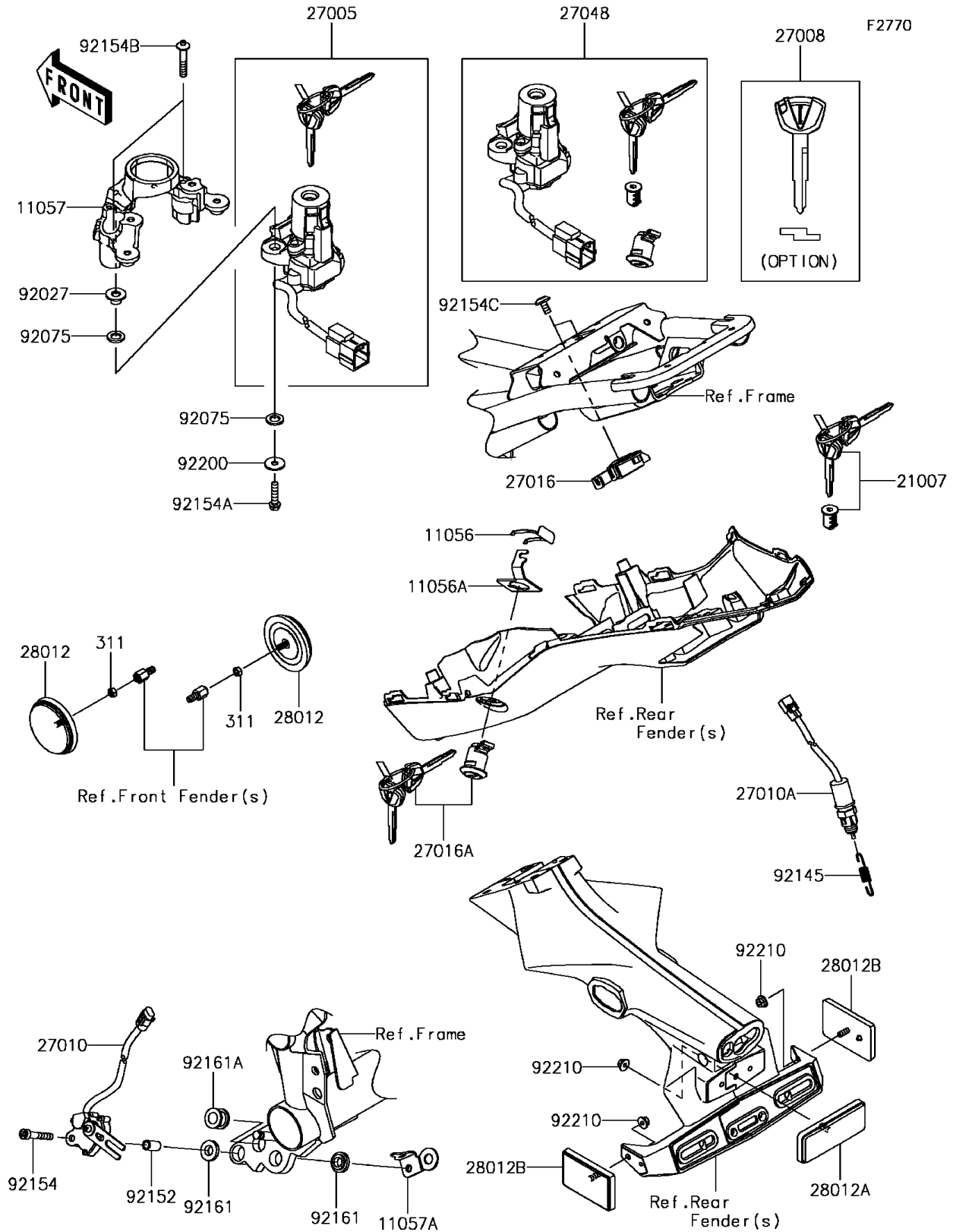


2017 Z900 ABS PARTS DIAGRAM

Ignition Switch/Locks/Reflectors



2017 Z900 ABS PARTS LIST

Ignition Switch/Locks/Reflectors

| ITEM NAME | PART NUMBER | QUANTITY |
|--|-------------|----------|
| NUT-HEX,5MM (Ref # 311) | 311AB0500 | 2 |
| BRACKET,CLASP (Ref # 11056) | 11056-0238 | 1 |
| BRACKET,SEAT LOCK (Ref # 11056A) | 11056-2119 | 1 |
| BRACKET,IG. SWITCH (Ref # 11057) | 11057-0251 | 1 |
| BRACKET (Ref # 11057A) | 11057-0319 | 1 |
| ROTOR,LOCK,TANK CAP (Ref # 21007) | 21007-5077 | 1 |
| SWITCH-ASSY-IGNITION (Ref # 27005) | 27005-0613 | 1 |
| KEY-LOCK,BLANK (Ref # 27008) | 27008-0596 | 1 |
| SWITCH,SIDE STAND (Ref # 27010) | 27010-0722 | 1 |
| SWITCH,REAR BRAKE (Ref # 27010A) | 27010-0847 | 1 |
| LOCK-ASSY,SEAT STRIKER (Ref # 27016) | 27016-0008 | 1 |
| LOCK-ASSY,SEAT (Ref # 27016A) | 27016-5386 | 1 |
| SWITCH-ASSY (Ref # 27048) | 27048-5095 | 1 |
| REFLECTOR-REFLEX,FR,SIDE (Ref # 28012) | 28012-0001 | 2 |
| REFLECTOR-REFLEX (Ref # 28012A) | 28012-1077 | 1 |
| REFLECTOR-REFLEX (Ref # 28012B) | 28012-1088 | 2 |
| COLLAR,L=9.6 (Ref # 92027) | 92027-1045 | 2 |
| DAMPER (Ref # 92075) | 92075-1564 | 4 |
| SPRING,REAR BRAKE (Ref # 92145) | 92145-0946 | 1 |
| COLLAR,6.5X9.5X17 (Ref # 92152) | 92152-2274 | 1 |
| BOLT,SOCKET,6X40 (Ref # 92154) | 92154-0505 | 1 |
| BOLT,FLANGED,6X25 (Ref # 92154A) | 92154-2154 | 2 |
| BOLT,E TYPE TORX,6X35 (Ref # 92154B) | 92154-2207 | 2 |
| BOLT,SOCKET,6X12 (Ref # 92154C) | 92154-2355 | 2 |
| DAMPER (Ref # 92161) | 92161-0117 | 2 |
| DAMPER (Ref # 92161A) | 92161-0118 | 1 |
| WASHER,6X20X1.6 (Ref # 92200) | 92200-0780 | 2 |
| NUT,FLANGED,5MM (Ref # 92210) | 92210-0007 | 3 |