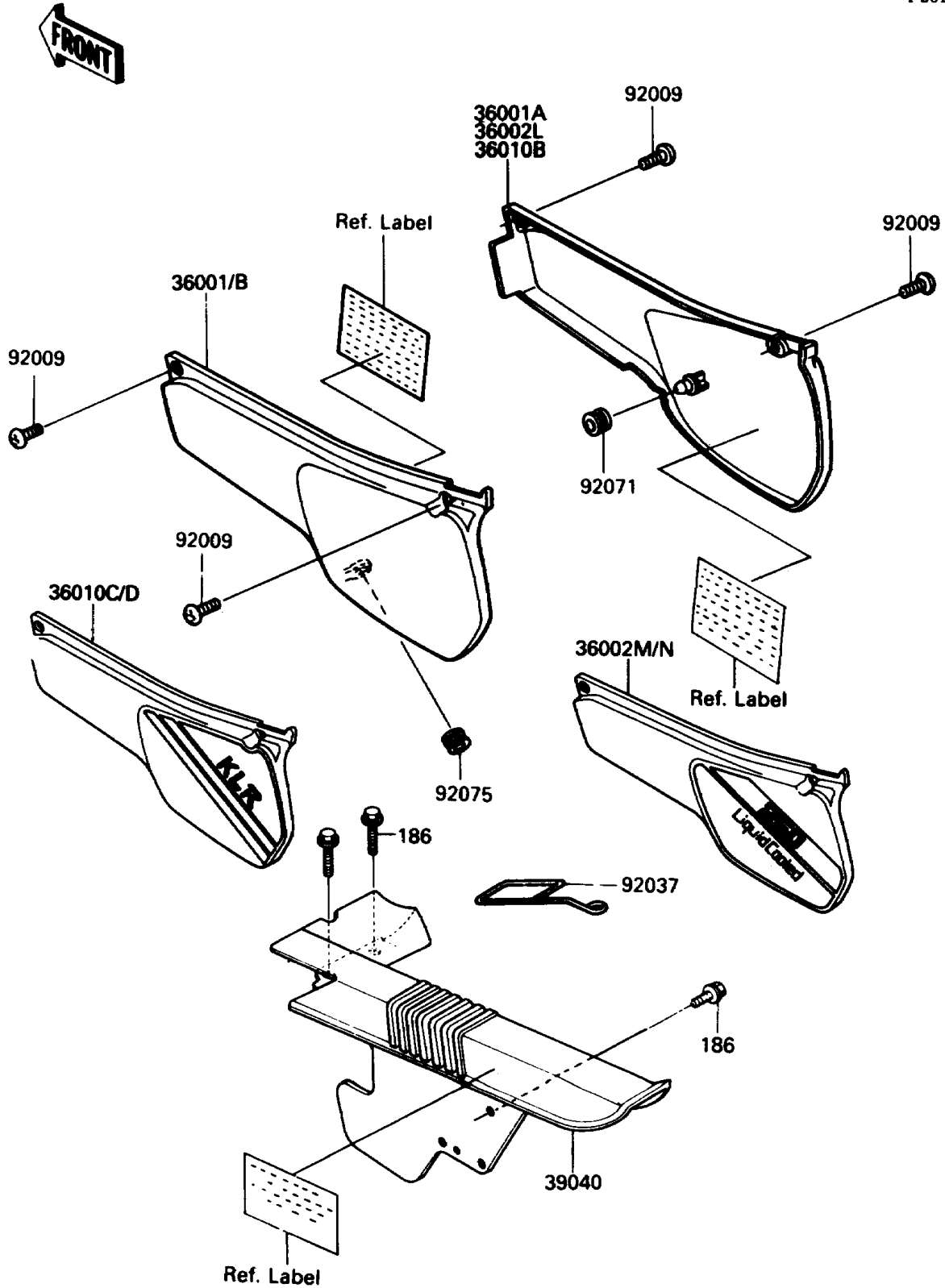


1989 KLR250 PARTS DIAGRAM

Side Covers/Chain Cover

F2610-0341



1989 KLR250 PARTS LIST

Side Covers/Chain Cover

ITEM NAME	PART NUMBER	QUANTITY
COVER-SIDE,RH,P.WHITE (Ref # 36010B)	36010-5117-6F	1
COVER-SIDE,LH,P.WHITE (Ref # 36010C)	36010-5118-6F	1
COVER-SIDE,LH,P.WHITE (Ref # 36010D)	36010-5119-6F	1
COVER-ASSY-CHAIN CASE (Ref # 39040)	39040-1051	1
SCREW,6X10,WHITE (Ref # 92009)	92009-1286	4
CLAMP,HOSE (Ref # 92037)	92037-1620	1
GROMMET (Ref # 92071)	92071-056	1
DAMPER (Ref # 92075)	92075-1067	1
BOLT-UPSET-WP (Ref # 186)	186C0618	3