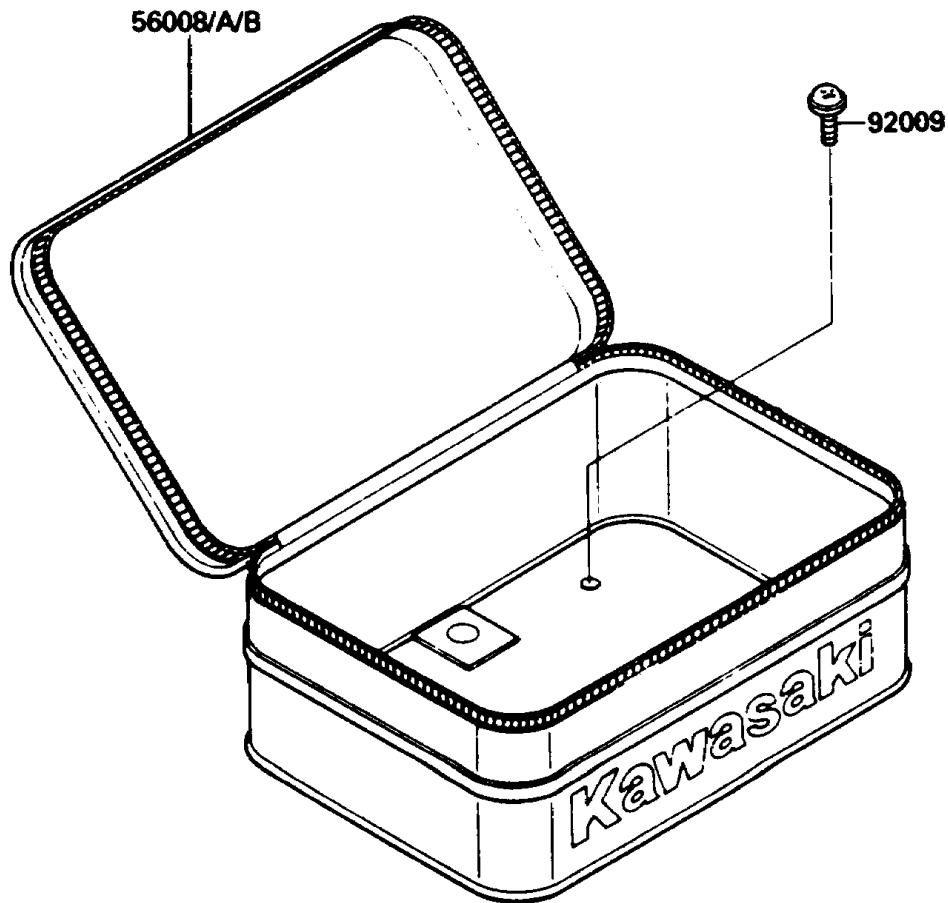


# 1988 KLR250 PARTS DIAGRAM

Accessory

F2910-0012



# 1988 KLR250 PARTS LIST

## Accessory

ITEM NAME	PART NUMBER	QUANTITY
BAG,TOOL,BLUE (Ref # 56008B)	56008-1054-N7	1
SCREW,6X22,BLACK (Ref # 92009)	92009-1256	4