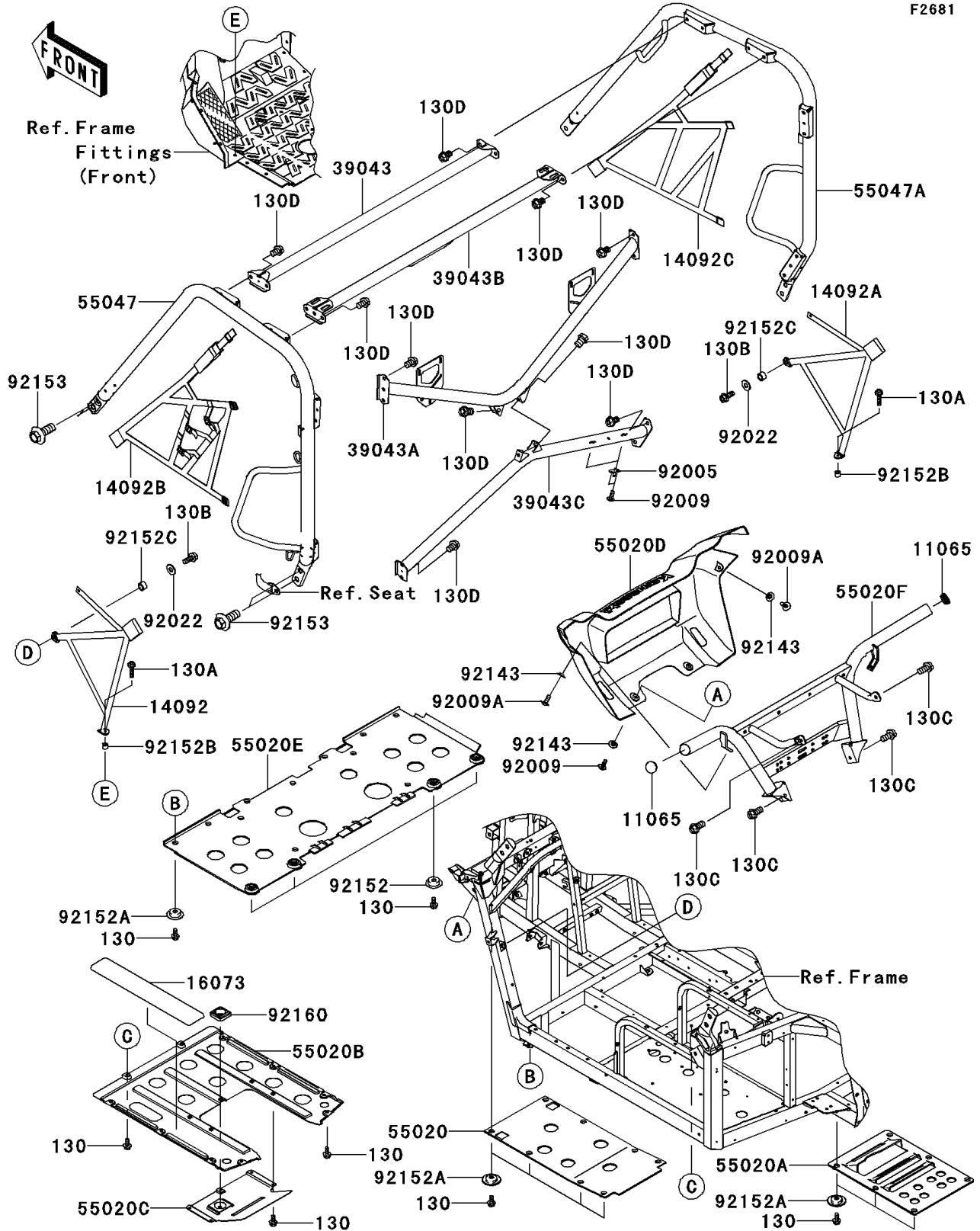


2013 TERYX® 750 FI 4x4 SPORT PARTS DIAGRAM

Guards/Cab Frame

F2681



2013 TERYX® 750 FI 4x4 SPORT PARTS LIST

Guards/Cab Frame

| ITEM NAME | PART NUMBER | QUANTITY |
|---|----------------|----------|
| BOLT-FLANGED,6X14 (Ref # 130) | 130BA0614 | 44 |
| BOLT-FLANGED,6X25 (Ref # 130A) | 130BB0625 | 2 |
| BOLT-FLANGED,8X20 (Ref # 130B) | 130BB0820 | 2 |
| BOLT-FLANGED,10X20 (Ref # 130C) | 130CA1020 | 4 |
| BOLT-FLANGED,10X14 (Ref # 130D) | 130CB1014 | 18 |
| CAP (Ref # 11065) | 11065-0214 | 2 |
| COVER,LH,LWR (Ref # 14092) | 14092-0942 | 1 |
| COVER,RH,LWR (Ref # 14092A) | 14092-0944 | 1 |
| COVER,LH,UPP (Ref # 14092B) | 14092-0955 | 1 |
| COVER,RH,UPP (Ref # 14092C) | 14092-0956 | 1 |
| INSULATOR,ENGINE GUARD (Ref # 16073) | 16073-0045 | 1 |
| CROSSMEMBER-COMP,UPP,FR,GRAY (Ref # 39043) | 39043-0001-16Y | 1 |
| CROSSMEMBER-COMP,RR,UPP,GRAY (Ref # 39043A) | 39043-0005-16Y | 1 |
| CROSSMEMBER-COMP,UPP,RR,GRAY (Ref # 39043B) | 39043-0007-16Y | 1 |
| CROSSMEMBER-COMP,RR,LWR,GRAY (Ref # 39043C) | 39043-0008-16Y | 1 |
| GUARD,SKID,FR (Ref # 55020) | 55020-0301 | 1 |
| GUARD,SKID,RR (Ref # 55020A) | 55020-0402 | 1 |
| GUARD,SKID,MIDDLE (Ref # 55020B) | 55020-0437 | 1 |
| GUARD,ENGINE,SUB (Ref # 55020C) | 55020-0438 | 1 |
| GUARD,FRONT COVER (Ref # 55020D) | 55020-0520 | 1 |
| GUARD,SKID,MIDDLE (Ref # 55020E) | 55020-0522 | 1 |
| GUARD,FRONT PIPE,T.BLACK (Ref # 55020F) | 55020-0810-388 | 1 |
| BAR-COMP,LH,T.M.GRAY (Ref # 55047) | 55047-0332-16Y | 1 |
| BAR-COMP,RH,T.M.GRAY (Ref # 55047A) | 55047-0333-16Y | 1 |
| FITTING (Ref # 92005) | 92005-0077 | 2 |
| SCREW,TAPPING,6X16 (Ref # 92009) | 92009-1166 | 6 |
| SCREW,6X16 (Ref # 92009A) | 92009-1621 | 2 |
| WASHER,8.5X20X1.6,BLACK (Ref # 92022) | 92022-1317 | 2 |
| COLLAR (Ref # 92143) | 92143-1087 | 4 |

2013 TERYX® 750 FI 4x4 SPORT PARTS LIST

Guards/Cab Frame

| ITEM NAME | PART NUMBER | QUANTITY |
|------------------------------------|-------------|----------|
| COLLAR (Ref # 92152) | 92152-0512 | 4 |
| COLLAR (Ref # 92152A) | 92152-0784 | 25 |
| COLLAR,6.2X9.5X7.5 (Ref # 92152B) | 92152-1576 | 2 |
| COLLAR,9.3X13.5X8.6 (Ref # 92152C) | 92152-1608 | 2 |
| BOLT,FLANGED,14X36 (Ref # 92153) | 92153-1282 | 8 |
| DAMPER (Ref # 92160) | 92160-1772 | 1 |