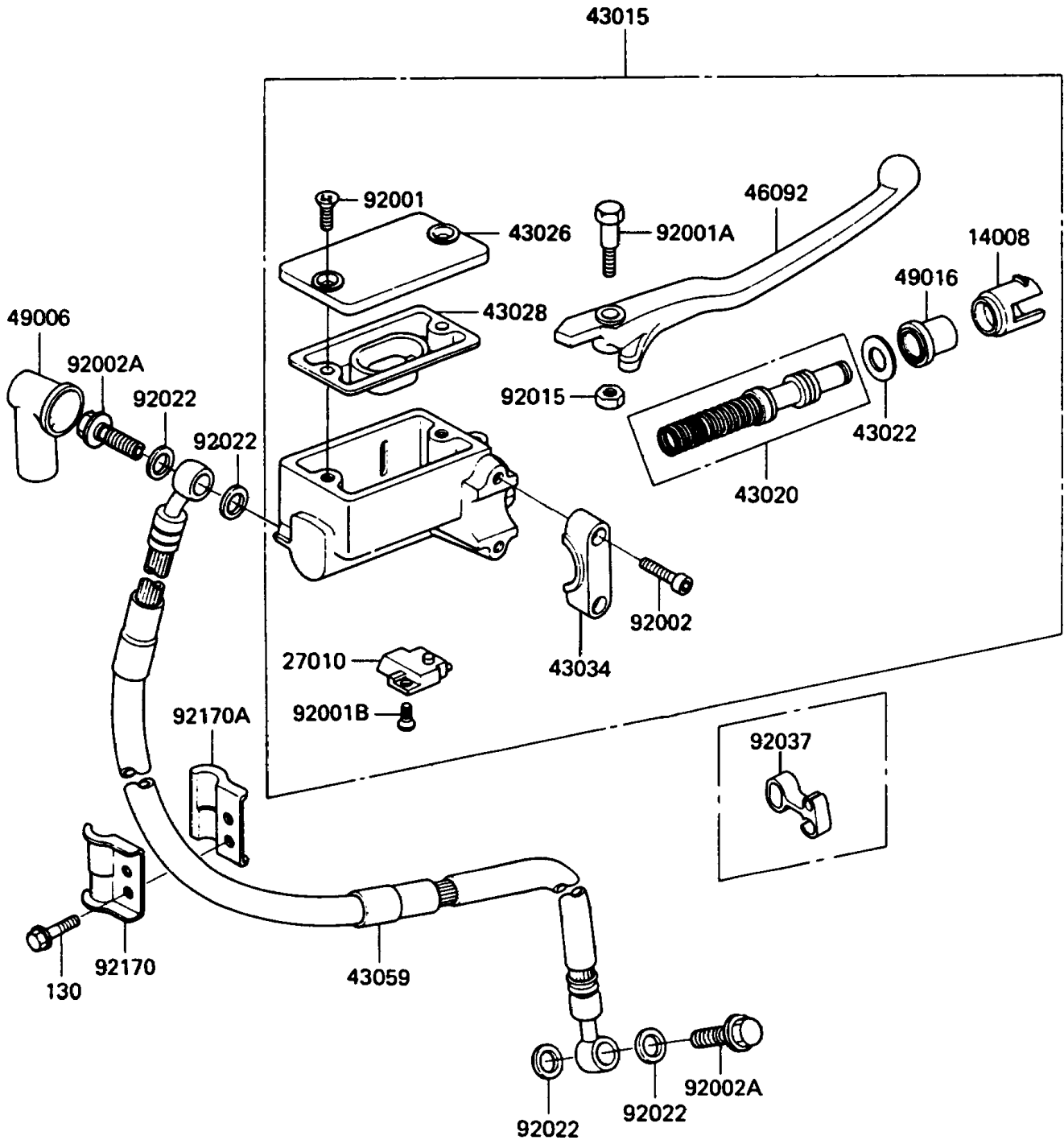


# 1990 KLR250 PARTS DIAGRAM

Front Master Cylinder(KL250-D7)

F2291



# 1990 KLR250 PARTS LIST

Front Master Cylinder(KL250-D7)

ITEM NAME	PART NUMBER	QUANTITY
LINER (Ref # 14008)	14008-1030	1
SWITCH,BRAKE (Ref # 27010)	27010-1056	1
CYLINDER-ASSY-MASTER,FR (Ref # 43015)	43015-1257	1
PISTON-COMP-BRAKE (Ref # 43020)	43020-1021	1
STOPPER-BRAKE (Ref # 43022)	43022-1008	1
CAP-BRAKE (Ref # 43026)	43026-1020	1
DIAPHRAGM (Ref # 43028)	43028-1022	1
HOLDER-BRAKE,MASTER CYLINDER (Ref # 43034)	43034-1055	1
HOSE-BRAKE,FR (Ref # 43059)	43059-1281	1
LEVER-GRIP,FRONT BRAKE (Ref # 46092)	46092-1114	1
BOOT,DUST (Ref # 49006)	49006-1040	1
COVER-SEAL (Ref # 49016)	49016-1035	1
SCREW-CSK-CROS,5X12,BLACK (Ref # 92001)	92001-1055	2
BOLT,6X37.3,BLACK (Ref # 92001A)	92001-1512	1
SCREW-CSK-CROS,4X10,BLACK (Ref # 92001B)	92001-1532	1
BOLT,SOCKET,6X22 (Ref # 92002)	92002-1326	2
BOLT,OIL,L=23 (Ref # 92002A)	92002-1888	2
NUT,LOCK,6MM,BLACK (Ref # 92015)	92015-1191	1
WASHER,10.5X15X1.5 (Ref # 92022)	43067-001	4
CLAMP,BRAKE HOSE (Ref # 92037)	92037-1629	1
CLAMP,BRAKE HOSE,OUTSIDE (Ref # 92170)	92170-1231	1
CLAMP,BRAKE HOSE,INSIDE (Ref # 92170A)	92170-1232	1
BOLT-FLANGED,6X14,BLACK (Ref # 130)	130J0614	2