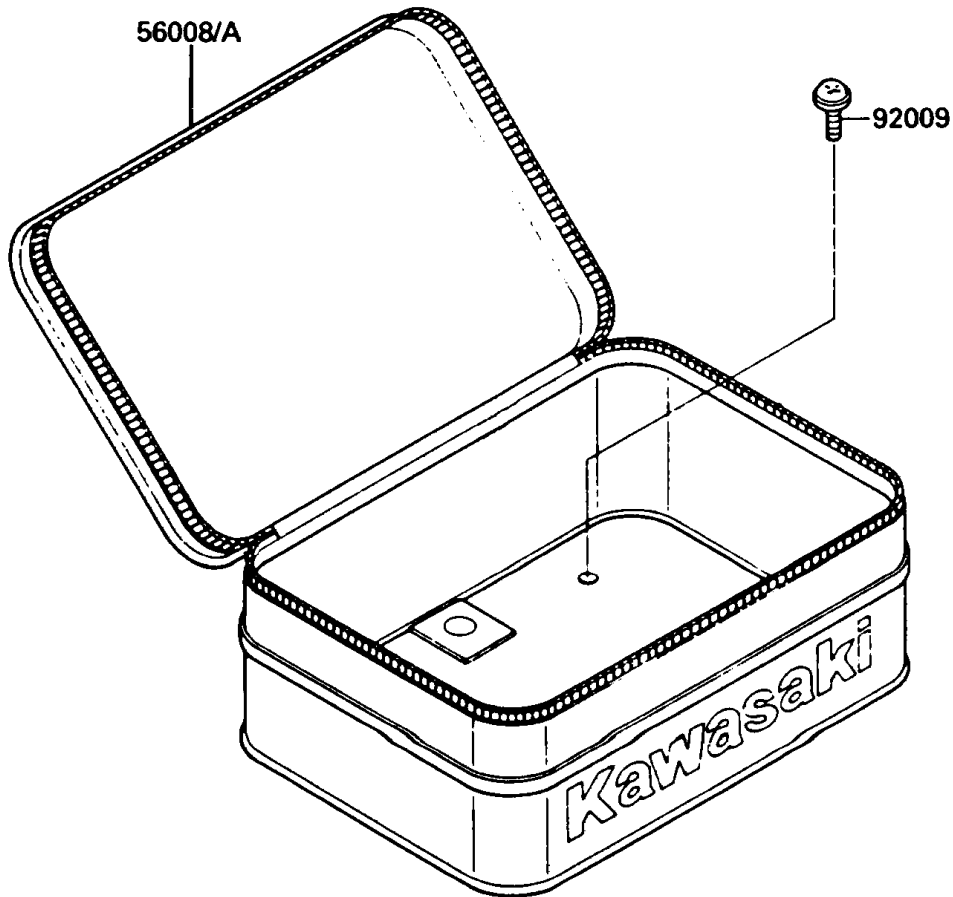


# 1990 KLR250 PARTS DIAGRAM

Accessory

F2910



# 1990 KLR250 PARTS LIST

## Accessory

| ITEM NAME                      | PART NUMBER   | QUANTITY |
|--------------------------------|---------------|----------|
| BAG,TOOL,BLUE (Ref # 56008A)   | 56008-1054-MV | 1        |
| SCREW,6X22,BLACK (Ref # 92009) | 92009-1256    | 4        |