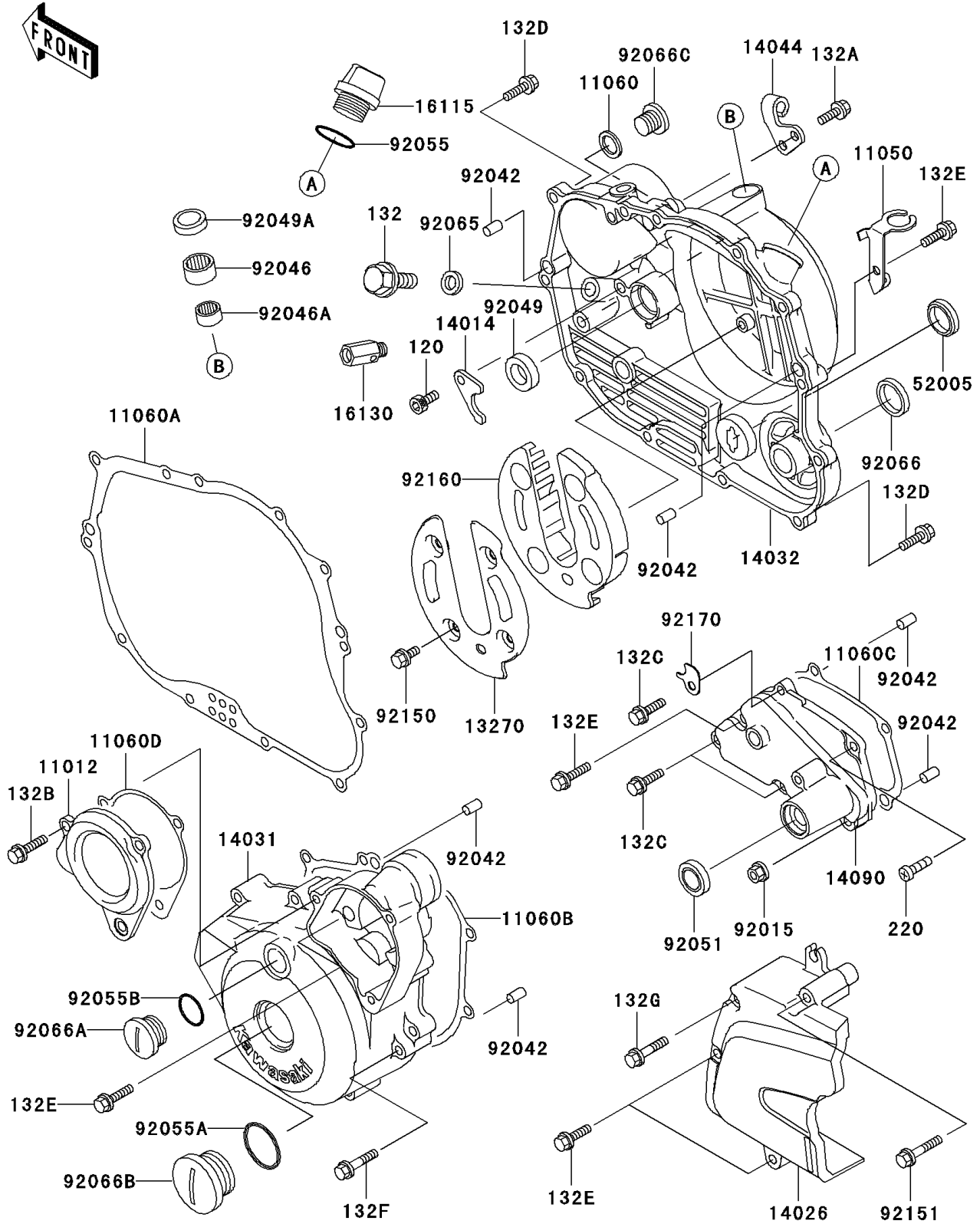


2004 Super Sherpa (Canada Only) PARTS DIAGRAM

Engine Cover(s)

E1431



2004 Super Sherpa (Canada Only) PARTS LIST

Engine Cover(s)

ITEM NAME	PART NUMBER	QUANTITY
BOLT-SOCKET,6X10 (Ref # 120)	120P0610	1
BOLT-FLANGED-SMALL (Ref # 132)	132L0812	1
BOLT-FLANGED-SMALL (Ref # 132A)	132Y0616	2
BOLT-FLANGED-SMALL (Ref # 132B)	132Y0618	3
CAP (Ref # 11012)	11012-1994	1
BRACKET (Ref # 11050)	11050-1139	1
GASKET,ROCKER SHAFT (Ref # 11060)	11060-1287	2
GASKET,CLUTCH COVER INNER (Ref # 11060A)	11060-1324	1
GASKET,GENERATOR COVER (Ref # 11060B)	11060-1326	1
GASKET,TRANSMISSION COVER (Ref # 11060C)	11060-1327	1
GASKET,CAP (Ref # 11060D)	11060-1641	1
PLATE (Ref # 13270)	13270-1781	1
PLATE-POSITION (Ref # 14014)	14014-1062	1
COVER-CHAIN (Ref # 14026)	14026-1248	1
COVER-GENERATOR (Ref # 14031)	14031-1341	1
COVER-CLUTCH (Ref # 14032)	14032-1458	1
HOLDER-CABLE (Ref # 14044)	14044-1093	1
COVER,TRANSMISSION (Ref # 14090)	14090-1793	1
CAP-OIL FILLER (Ref # 16115)	16115-1053	1
VALVE-ASSY-RELIEF (Ref # 16130)	16130-1001	1
GAUGE,OIL LEVEL (Ref # 52005)	52005-1009	1
NUT,FLANGED,6MM (Ref # 92015)	92015-1193	1
PIN,DOWEL,6.3X8X14 (Ref # 92042)	92042-007	6
BEARING-NEEDLE,HK1210 (Ref # 92046)	92046-1010	1
BEARING-NEEDLE (Ref # 92046A)	92046-1230	1
SEAL-OIL (Ref # 92049)	92049-1191	1
SEAL-OIL (Ref # 92049A)	92049-1262	1
SEAL-OIL,TB13225.5 (Ref # 92051)	92051-005	1
RING-O (Ref # 92055)	92055-012	1

2004 Super Sherpa (Canada Only) PARTS LIST

Engine Cover(s)

ITEM NAME	PART NUMBER	QUANTITY
RING-O (Ref # 92055A)	92055-091	1
RING-O (Ref # 92055B)	92055-1146	1
GASKET (Ref # 92065)	92065-023	1
PLUG,RCA297 (Ref # 92066)	92066-1411	1
PLUG, TOP MAKE (Ref # 92066A)	92066-1456	1
PLUG, CRANK (Ref # 92066B)	92066-1457	1
PLUG (Ref # 92066C)	92066-1481	2
BOLT, 5X8 (Ref # 92150)	92150-1406	4
BOLT, 6X55 (Ref # 92151)	92151-1287	1
DAMPER (Ref # 92160)	92160-1823	1
CLAMP (Ref # 92170)	92170-1785	1
BOLT-FLANGED-SMALL (Ref # 132C)	132Y0620	3
BOLT-FLANGED-SMALL (Ref # 132D)	132Y0625	11
BOLT-FLANGED-SMALL (Ref # 132E)	132Y0630	6
BOLT-FLANGED-SMALL (Ref # 132F)	132Y0640	6
BOLT-FLANGED-SMALL (Ref # 132G)	132Y0645	1
SCREW-PAN-CROS (Ref # 220)	220X0616	1