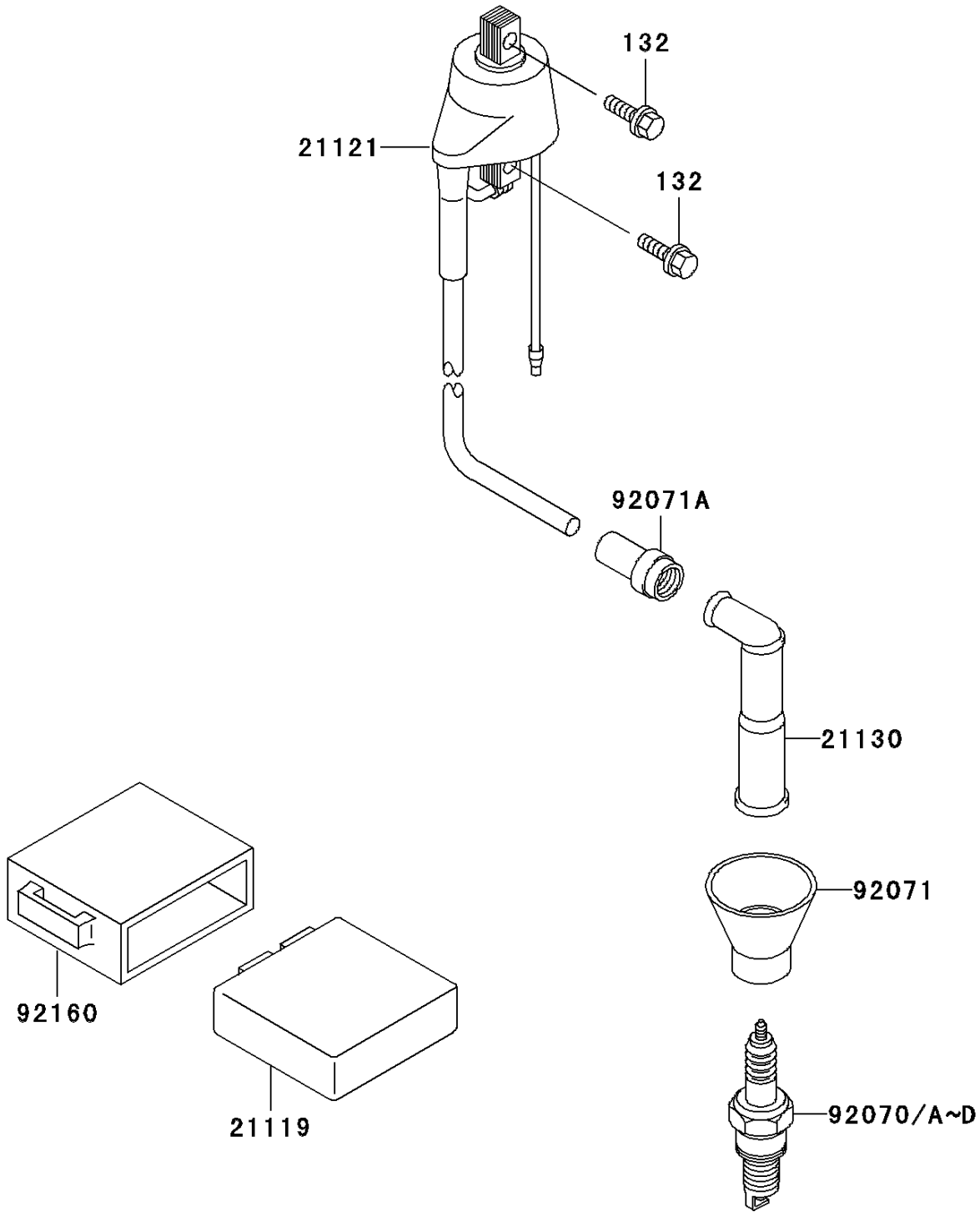


# 2002 Super Sherpa PARTS DIAGRAM

Ignition System

E1830



## 2002 Super Sherpa PARTS LIST

### Ignition System

ITEM NAME	PART NUMBER	QUANTITY
BOLT-FLANGED-SMALL (Ref # 132)	132J0618	2
IGNITER (Ref # 21119)	21119-1489	1
COIL-IGNITION (Ref # 21121)	21121-1230	1
CAP-SPARK PLUG (Ref # 21130)	21130-1002	1
PLUG-SPARK,U27ESR-N(ND) (Ref # 92070)		1
PLUG-SPARK,CR8E(NGK) (Ref # 92070A)	92070-1169	1
PLUG-SPARK,U24ESR-N(ND) (Ref # 92070B)		1
PLUG-SPARK,CR7E(NGK) (Ref # 92070C)	92070-1209	1
PLUG-SPARK,CR9E(NGK) (Ref # 92070D)	92070-1266	1
GROMMET,PLUG CAP (Ref # 92071)	92071-1244	1
GROMMET,HIGH TENSION (Ref # 92071A)	92071-1245	1
DAMPER,IGNITER (Ref # 92160)	92160-1259	1